



From world leaders in **SENSOR TECHNOLOGY**  
comes **SENORTEC.....**



## **FAST RESPONSE HEAT DETECTORS NHD-G1, G2, G3 and GH1**

The NHD-G series heat detectors are fast response heat detectors for use in conventional fire detection systems. They may be used in most cases as a direct replacement for our 2SA-70T-LS, TCA-60-LS and TCA-70-LS heat detectors.

The detector is non-mechanical and uses a thermister of low thermal mass as the sensing element, giving a fast response. Four different response grades are available to BS 5445/EN54 part 5, grades 1, 2, 3 plus a high temperature version to BS 5445/EN54 Part 8. Although these detectors operate on the principle of a fixed threshold only, their fast response make them generally suitable where combined rate-of-rise heat detectors would normally be required.

The NHD-G heat detectors are unobtrusive and attractive in appearance. A very low monitoring current is used and a red fire LED indicator is incorporated, which latches in alarm. All NHD-G heat detectors have four terminals, as standard, allowing a transistor switching facility capable of 'sinking' 100mA, ideally suitable for switching remote LED indicators.



### **SPECIFICATION**

#### **Sensitivity:-**

#### **Standard Models:**

Model No.	BS 5445/EN54	Nominal Alarm Temp.	Label Colour
NHD-G1	Grade 1 (Part 5)	58 Deg.C	Green
NHD-G2	Grade 2 (Part 5)	66 Deg.C	Yellow
NHD-G3	Grade 3 (Part 5)	74 Deg.C	Red
NHD-GH1	Range 1 (Part 8)	80 Deg.C	Blue

**NHD-G1**  
LPCB REF: 041a/01

**NHD-G2**  
LPCB REF: 041a/02

**NHD-G3**  
LPCB REF: 041a/03

**NHD-GH1**  
LPCB REF: 041b/01

#### **12V d.c. Versions:**

Model No.	BS 5445/EN54	Nominal Alarm Temp.	Label Colour
NHD-G1-LV	Grade 1 (Part 5)	58 Deg.C	Green
NHD-GH1-LV	Range 1 (Part 8)	80 Deg.C	Blue

#### **Operating Voltage Range:-**

16 - 30V d.c.. (Standard models)

11 - 24V d.c.. (12V d.c. versions)

#### **Monitoring Current:-**

20µA (typ) @ 24V d.c. @ 25Deg.C..

#### **Operating Current:-**

65mA (max. allowable).

#### **Minimum Ambient Temperature:-**

-10Deg.C..

#### **Storage Temperature:-**

-25 to +90Deg.C..

#### **Base Types:-**

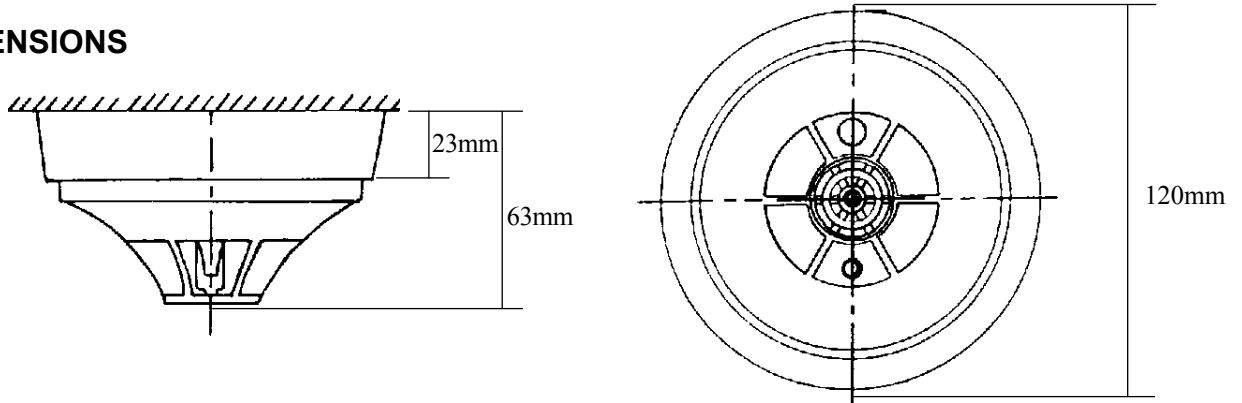
**SENORTEC** STB-4 Series and RB-3, RB-6 Series.

#### **Mass:-**

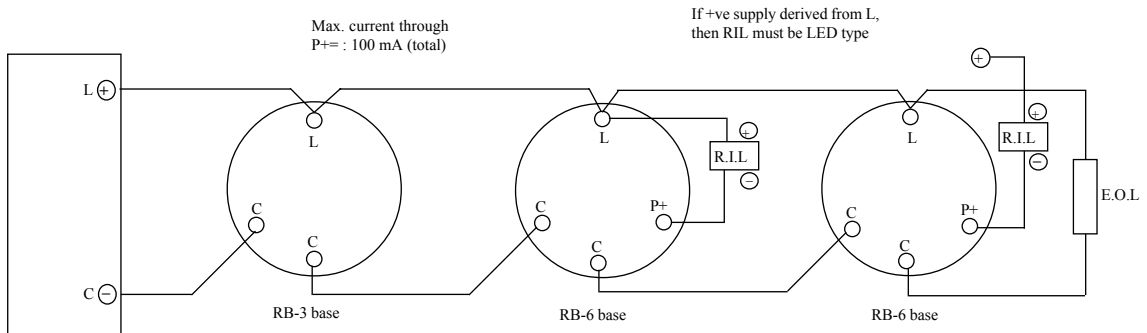
115g (Head only).

**NITTAN (UK) LTD - BRINGING STYLE INTO FIRE DETECTION SYSTEMS**

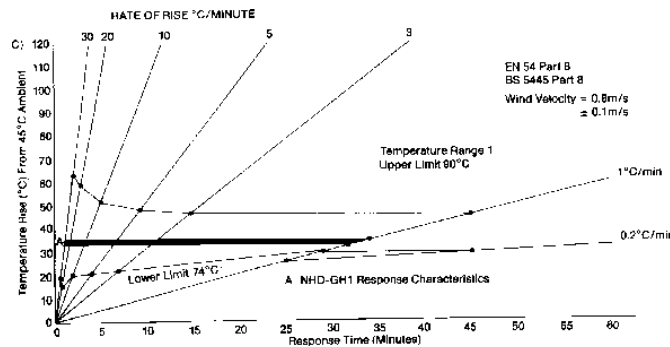
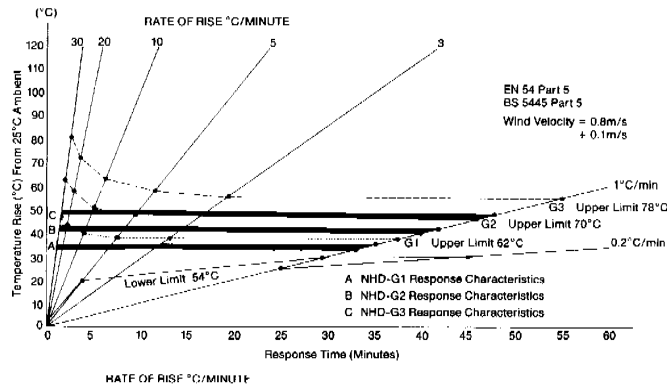
## DIMENSIONS



## WIRING CONNECTIONS



## RESPONSE CHARACTERISTIC GRAPHS



©. In pursuance of our policy of continuous product improvement, we reserve the right to change the specification without prior notice. NSL/NHD/02. September 2001.



**NITTAN (UK) LTD**

Hipley Street, Old Woking, Surrey. GU22 9LQ. ENGLAND TEL: 0044 (0)1483 769555 FAX: 0044 (0)1483 756686  
Web site: www.nittan.co.uk E-mail: sales@nittan.co.uk