

NITTAN	EVOLUTION	TD-EV-PS-04
	EV-PS(DSCI)/CN-PS/EV-PS (Consilium) Analogue Addressable Optical Sensor with Sounder and Short Circuit Isolator	June 2009
		Page 1 of 1
TECHNICAL DATASHEET		

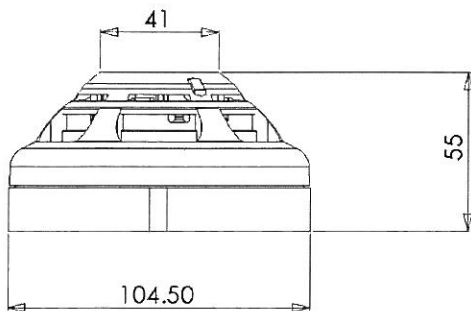
Part Numbers and Product Order Codes:-

Part Number	- - - - -	EV-PS(DSCI)/CN-PS/EV-PS (Consilium)
Description	- - - - -	Analogue Evolution Optical Sensor With Sounder and SCI

Computer Reference Number		EV-PS-DSCI	EV-PS (No SCI)
Nittan Standard	- - - - -	F20N82500	F20N82501
Consilium Marine only	- - - - -	F20NCM82500	F20NCM82501
CN System only	- - - - -	F20NCN82500	F20NCN82501

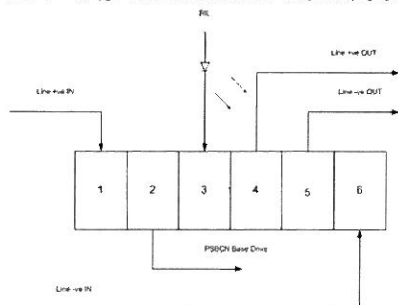
Technical Specifications:-

Sensor Method	- - - - -	Light Scatter
Sensor Element	- - - - -	1 x Light Emitting Diode
Operating Voltage	- - - - -	20V d.c. to 38V d.c.
System Voltage	- - - - -	35V d.c.
Quiescent Current	- - - - -	200µA
Alarm Current	- - - - -	5mA (LED), 2.1mA Sounder (Provisional)
Current for external remote LED indicator	- - - - -	2mA
Operating Temperature	- - - - -	- 10°C to + 55°C
Storage Temperature	- - - - -	- 20°C to + 60°C
Charging Time	- - - - -	1 minute
Relative Humidity	- - - - -	≤ RH95% non-condensing.
I.P. Protection Rating	- - - - -	IP40
Addressing Method	- - - - -	Soft addressing, Non-Volatile EEPROM.
Material	- - - - -	ABS/PC alloy
Dimensions	- - - - -	Ø104mm x 40mm (Sensor head) Ø104mm x 55mm (Sensor head and UB Series Base)
Mass	- - - - -	118g (Sensor head) 183g (Sensor head and UB Series base)
EMC Conformance	- - - - -	EMC conformance to BSEN50130-4.
CE Conformity	- - - - -	EN54-7, EN54-3 and EN54-17



EV-PS Dimensions

EV-PS Terminal connections



Base : UB Series or EV-PSBCN Base