

ALUKIT DESCRIPTION

PEUGEOT Boxer - CITROËN Jumper - FIAT Ducato

A POLYESTER FRAME + AN ALUMINIUM ROLL-UP DOOR = ALUKIT

ALUKIT is an ideal solution for every body who wishes to replace the original rear doors of the vehicle with a roll-up door without modifying the body.

It's composed of a polyester frame adapted to the shape of the vehicle and a roll-up door.

To install an ALUKIT, you just need to remove the original rear door and place the polyester frame on the vehicle, then install the shutter.

The final fixing is done with integrated screws in the polyester frame, which have to be placed in the hinges of the original doors.



Advantages :

- Vehicle's appearance preserved
- No change on the vehicle body (No piercing, cutting, soldering or painting)
- The original doors can be restored
- Easy installation
- Short installation time (4 to 5 hours)

The polyester frame is delivered in RAL 9010, orange RAL 2000 or other color RAL on request.

The roll-up door standard finish is in RAL 7035 satin finish powder coated grey, but can also be delivered in RAL 9010, orange RAL 2000, anodized or other RAL on request.

! WARNING ! Check your exact vehicle model !

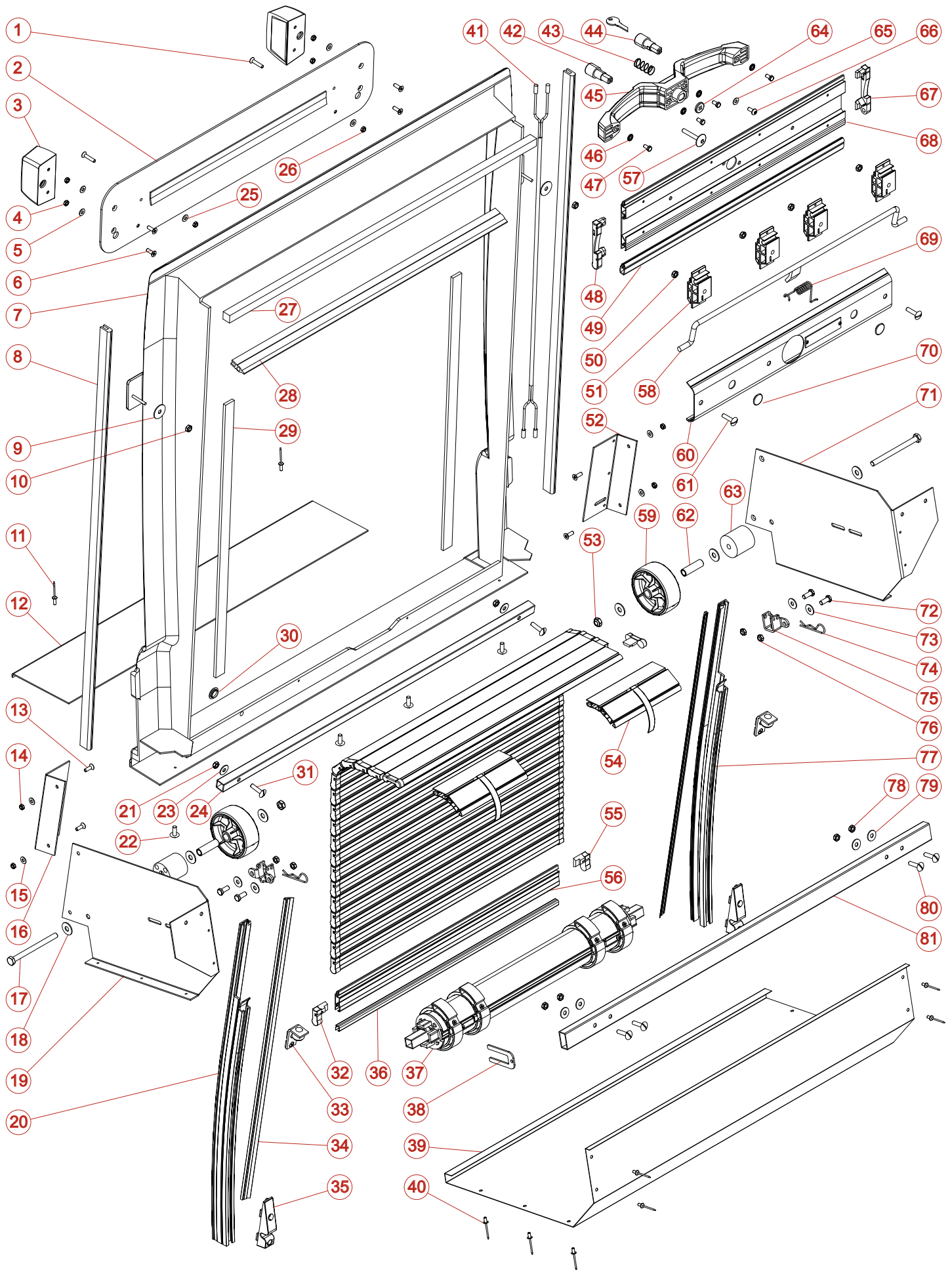
Our ALUKIT for Peugeot Boxer, Citroën Jumper, Fiat Ducato is available for H2 version.



PEUGEOT BOXER H2 CITROËN JUMPER H2 FIAT DUCATO H2

Passing width : 1368 mm
Passing height : 1700 mm

EXPLODED VIEW ALUKIT BOXER - JUMPER - DUCATO



ELEMENT LIST ALUKIT BOXER - JUMPER - DUCATO

	CODE	DESCRIPTION
1	3360	STAINLESS SCREW TF POZIDRIV 5 X 25
2	6608	REGISTRATION PLATE SUPPORT
3	6019	REAR-REGISTRATION-PLATE ILLUMINATION DEVICE
4	3348	STAINLESS NUT HU M 5
5	3319	STAINLESS RING M 5
6	3330	STAINLESS SCREW TF POZIDRIV 5 X 16
7	6600	BJD2 POLYESTER FRAME
8	6613	BLACK PVC SEAL (M)
9	3304	STAINLESS RING M 6
10	3305	STAINLESS LOCK NUT M 6
11	3245	ALU/STEEL STANDARD RIVET 4 X 12
12	6601	BJD2 DOORSTEP
13	3330	STAINLESS SCREW TF POZIDRIV 5 X 16
14	3320	STAINLESS LOCK NUT M 5
15	3319	STAINLESS RING M 5
16	6604	ANGLE BRACKET FOR LEFT SIDE PANEL BJD2
17	3300	STAINLESS SCREW TH 8 X 100
18	3301	STAINLESS RING L 8
19	6602	LEFT SIDE PANEL BJD2
20	1300	STANDARD TRACK (M)
21	3302	STAINLESS LOCK NUT M 6
22	3325	STAINLESS SCREW TRL POELIER 6 X 16
23	3358	STAINLESS RING M 6
24	6607	SUPPORT ANGLE BRACKET SIDE PANEL TUBE
25	3248	STAINLESS RING LL 5
26	3320	STAINLESS LOCK NUT M 5
27	6100	ALUKIT STICKER SEAL (M)
28	2042	ALUKIT WATERPROOF TOP SEAL
29	2048	FOAM SEAL 20 X 5 (M)
30	4208	CAP COVER
31	3337	STAINLESS SCREW POELIER 6 X 30
32	4002	LEFT SLAT CAP
33	8117	COMPLETE UPPER STOP
34	2023	TRACK SEAL (M)
35	8115	COMPLETE ROD LOCK SYSTEM
36	2004	INNER SLAT SEAL (M)
37	8001	ROLLER 62
38	3108	BLOCKING FORK
39	6610	BJD2 ROLLER COVER
40	3338	RIVET 4 X 8
41	6620	ELECTRICAL CLUSTER
42	4202	PUSH BUTTON
43	3226	COMPRESSION SPRING FOR PUSH BUTTON
44	3901 à 3920	CYLINDER FOR LOCK N° 1001 TO N° 1020
45	4200	MCD DOUBLE HANDLE
46	3307	STAINLESS RING AZ 5

	CODE	DESCRIPTION
47	3306	STAINLESS SCREW TH 5 X 10
48	4017	TERMINAL SLAT LEFT CAP
49	2010	BOTTOM SEAL (M)
50	3503	ZINC-COATED LOCK NUT M 6
51	4251	FIXATION ROD BEARING
52	6605	ANGLE BRACKET FOR RIGHT SIDE PANEL BJD2
53	3302	STAINLESS LOCK NUT M 8
54	8114	LOOPS GUIDE
55	4003	RIGHT SLAT CAP
56	1001	ABE SLAT 30 (M)
57	3345	SCREW POELIER TORSQUE 6 X 40
58	3213	1 TO 1.5 M ROD
59	4110	WHEEL 80 DIA
60	1200	COVER (M)
61	3335	STAINLESS SCREW TRL POELIER 6 X 25
62	3109	STEEL SPACER
63	4107	PLASTIC SPACER
64	4201	DOUBLE HANDLE PLASTIC RING
65	3319	STAINLESS RING M 5
66	3324	METAL STAINLESS SCREW TC 5 X 12 POZIDRIV
67	4018	TERMINAL SLAT RIGHT CAP
68	1101	TERMINAL SLAT (M)
69	3207	TORSION SPRING FOR ROD
70	4208	CAP COVER
71	6603	RIGHT SIDE PANEL BJD2
72	3303	STAINLESS SCREW TH 6 X 16
73	3304	STAINLESS RING L 6
74	3371	STAINLESS BETA PIN 2.5
75	3139	ROLLER SUPPORT
76	3305	STAINLESS LOCK NUT M 6
77	1300	STANDARD TRACK (M)
78	3503	STAINLESS LOCK NUT M 6
79	3304	STAINLESS RING M 6
80	3335	STAINLESS TRL POELIER 6 X 25
81	6606	SUPPORT SIDE PANEL TUBE