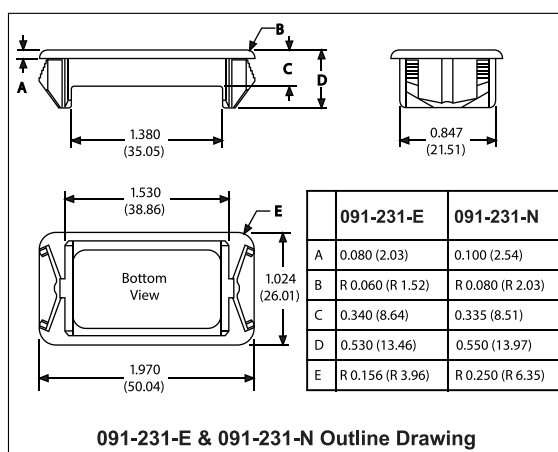
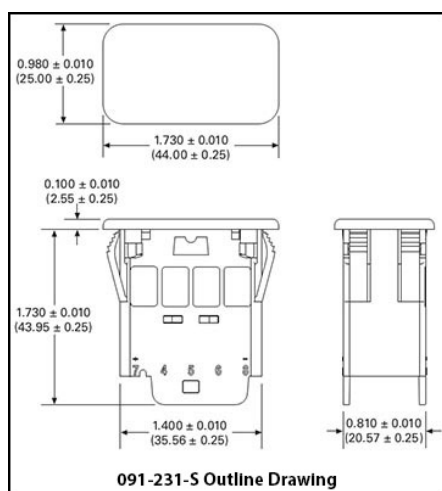


SHORE POWER ALARM

Audible Alarm & LED Indicator

Features

- Audible alarm sounds and LED illuminates to alert driver when shore power is connected and vehicle is running
- 85 dB alarm
- Built-In LED Indicator
- Designed for easy installation in vehicle switch panels
- Reverse polarity protected



Specifications: Shore Power Alarm

Input Voltage: 10-16 Vdc

Input Current: .030 Amps Max

Output: 85 dB alarm

Indicator: Device Powered: Red LED

SVR Cut-Out Size: 1.45" x .83"

Euro & NGR Cut-Out Size: 1.73" x 0.87"

Warranty: 3 Years



Part Number	Description	Electrical Data		Dimensions				Wgt.
		DC Volts	DC Amps	L	W	D	Corner	
091-231-S	Shore Power Alarm, Eaton SVR	10-16	30mA	1.73"	0.98"	1.73"	-	.25
091-231-N	Shore Power Alarm, Eaton NGR	10-16	30mA	1.98"	1.02"	0.45"	R 0.250"	.25
091-231-E	Shore Power Alarm, Eaton Euro	10-16	30mA	1.98"	1.02"	0.45"	R 0.156"	.25