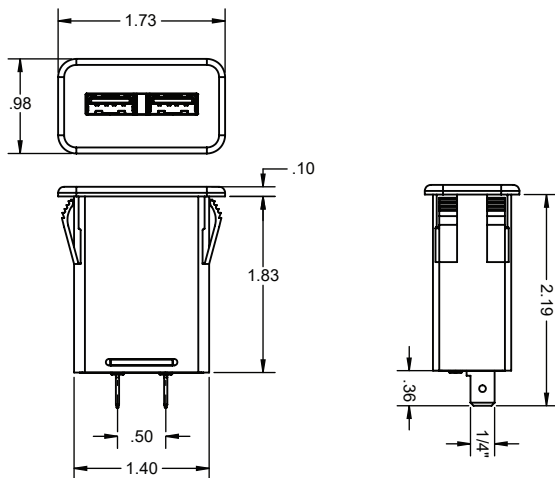


# USB Dual Port 4.8

## Dual USB Charging Port, 12/24V

### Features

- Quick and easy way to recharge electronic devices in a vehicle
- 4.8 Amps max output allows charging of two tablets at the same time
- Built-In LED Indicator indicates device is powered
- Designed for easy installation in vehicle switch panels
- Reverse polarity protected
- Can be connected to 12 or 24V switched ignition or directly to battery



091-219-5 Outline Drawing

### Specifications: USB Dual Port

Input Voltage: 10 to 30 VDC  
(10 to 32 VDC absolute min./max.)

Input Current: 2.5 Amps at 12.0 VDC  
(with 4.8 Amp Load)

Output Voltage: 4.8 to 5.2 VDC  
(0 to 4.8 Amp load)

Output Current: 4.8 Amps (maximum)

Indicator: Device Powered Red LED

Ambient Temp: -20C to 60C

Warranty: 3 years

Part Number	Description	Electrical Data		Dimensions				Wgt.
		DC Volts	DC Amps	L	W	D	Corner	
091-219-5	Dual USB Charging Port Eaton SVR	5	4.8	1.73"	0.98"	1.73"	-	.1 lb