

Overview

JBE-2101 is a conventional manual call point (MCP) designed to be compatible with a wide range of conventional fire panels and input modules. This MCP sets an installer-selectable resistive load to the fire loop when its resettable element is pressed.

After activation, the MCP will remain in alarm until it is reset with the supplied reset key. There is no glass break element in this device, so the reset operation is conveniently done without the need to replace any element.

The JBE-2101 also features a pair of normally open clean (voltage-free) contacts, which close at activation. These can be optionally used for a local action or to provide an activation signal to third party systems.

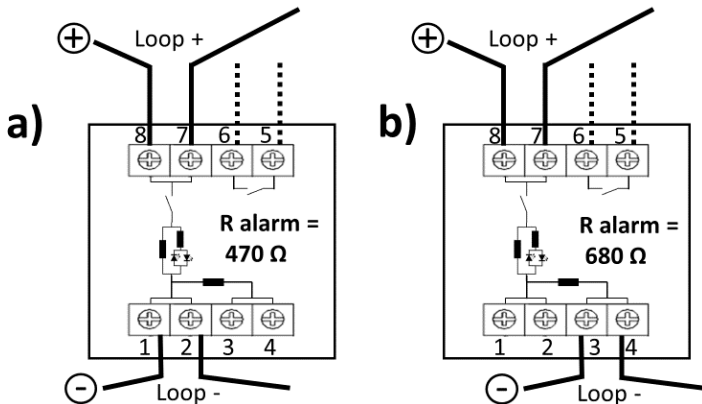
Technical data

Category	EN 54-11 type A indoor MCP
Working voltage	6-30 V DC
Connection	2-wire conventional zone
Wire size	0.5 – 2.5 mm ²
Quiescent current	0 mA
Alarm load	Built-in 680 Ω and 470 Ω + option for external R.
Clean contact rating	0.1 A / 30 V DC
Working temp.	-10°C ~ 55°C
Storage temp.	-30°C ~ 75°C
Environment Humidity	≤ 95% RH (no condensation nor icing)
Red LED Indication	Steady on when in alarm.
Dimensions (LxWxH)	90×90×52 mm
IP rating	IP40
Weight	160 g

Installation

Always observe local fire and electric installation regulations.

1. Secure the base to the wall (surface or flush mounted).
2. Identify the system's requirement for MCP alarm level (typically 680 Ω or 470 Ω). For other alarm loads, an external resistor may be used in conjunction with the internal voltage-free switch. Note that the LED will not be powered from the voltage-free switch terminals.
3. Connect the conventional zone wiring to the MCP base.
 - For 470 Ω zones, connect the wires as per diagram a).
 - For 680 Ω zones, connect the wires as per diagram b).



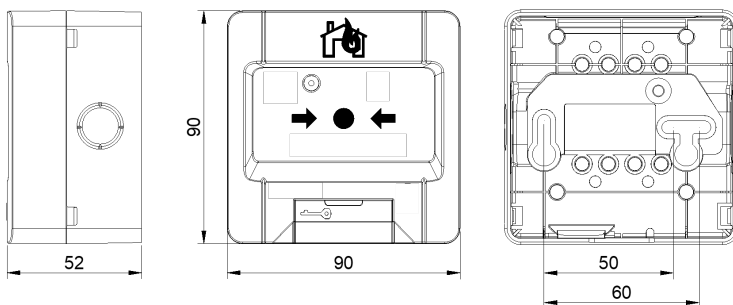
Terminals	Connection
1 & 2	Conventional zone (-) for 470 Ω zone
3 & 4	Conventional zone (-) for 680 Ω zone
5 & 6	[Optional] voltage-free switch (< 0.1A 30V DC)
7 & 8	Conventional zone (+) for all configurations

4. Insert the MCP face into its base and push firmly.
5. The head can be secured to the base by fitting an optional self-tapping screw (ST2.9x8) into its boss next to the reset keyhole.
6. Test each MCP and wiring integrity after installation.

Resetting an activated MCP

1. Open the tab in the bottom of the MCP face.
2. Insert the reset key.
3. Rotate key counterclockwise until the frangible element returns to its position.

Mechanical dimensions



all dimensions in mm

Regulatory information


0370
Jade Bird Fire Alarm International (Europe), S.L. C. Tarragona, 157. 08014 Barcelona (Spain) 20 DoP-0370-CPR-3804-1
EN 54-11 JBE-2101 <i>Manual Call Point</i> Technical file: see TF-JBE-2101-10 provided by the manufacturer.

Jade Bird Fire Alarm International (Europe), S.L.
C. Tarragona, 157. 08014 Barcelona (Spain)
www.jadebird.eu.com

