

Technical specification sheet

GTR 5349 LP EVO 3 | Telescopic Ram

Specifications		
article number		151.000.245
model		GTR 5349 LP EVO 3
short description		Telescopic Ram
max. working pressure	bar/Mpa	720 / 72
battery included		no
spreading stroke 1st plunger	mm	355
spreading stroke 2nd plunger	mm	330
total spreading stroke	mm	685
retracted length	mm	540
extended length	mm	1225
max. spreading force 1st plunger	kN/t	217 / 22.1
max. spreading force 2nd plunger	kN/t	101 / 10.3
protection rate		IP54
sound emission @ 1m/3.25ft	dB(A)	74
sound emission @ 4m/13ft	dB(A)	65
hydraulic oil type		ISO-L HV VG 15/22
number of plungers		2
weight, ready for use	kg	24.2
temperature range	°C	-20 + 55
weight excl. battery	kg	23.2
dimensions (AxBxC)	mm	525 x 260 x 540
EN 13204 classification		TR217/355-101/330-24.2
EN 13204 compliant		yes
NFPA 1936, HSF	kN/t	217 / 22.1
NFPA 1936, LSF	kN/t	101 / 10.3
NFPA 1936 compliant		yes

Safety factors / tests

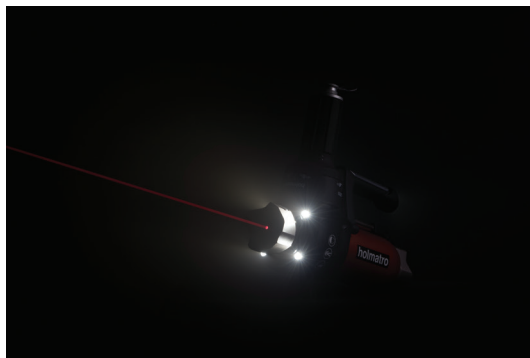
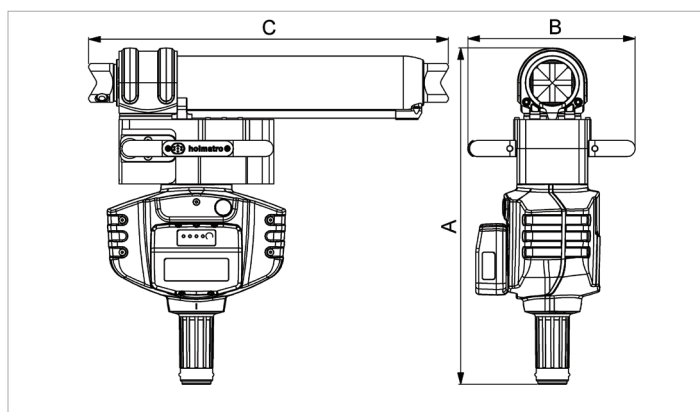
hydraulic safety factor		2:1
endurance test tool		1000 cycles of spreading while the tool is loaded
endurance test dead man's handle		6000 cycles

Standard supplied with

- Integrated laser pointer in ram head
- Integrated LED lighting illuminating both the plunger side and the base side of the ram

Required articles

Greenline Battery BPA286		151.000.307
Greenline Battery Charger BCH2		150.182.209
Greenline Battery BPA285		150.006.208
Greenline Battery Charger BCH3		150.182.286
Greenline Battery Charger BCH1		150.182.208



holmatro.com

© Holmatro 2021-03-03

While the greatest care has been devoted to the content, it is possible that the information in this printed matter is incorrect or incomplete. Holmatro B.V. and its affiliated companies (hereafter: Holmatro) cannot be held liable in any way for the consequences of activities undertaken on the basis of this printed matter. Values can vary within the manufacturer measurements. If you have any doubts about the correctness or completeness of the information, you shall contact Holmatro (T +31 (0)162-751480). Nothing from this printed matter can be copied and/or made public in any way without the explicit authorisation of Holmatro.