



### Care and Handling :

The sprinkler must be handled with due care, they must be stored in cool place for best results, the storage as well as any onward shipment be made in original packing only. Sprinklers must be visually inspected carefully before installation. Sprinklers visibly damaged, dropped or exposed to temperature in excess of the maximum ambient temperature permitted shall never be installed. Never install any glass bulbs sprinkler if the bulb is cracked or if there is a loss of liquid from the Bulb.

Sprinklers must be installed after the piping is in place to prevent mechanical damage.

Use Teflon tape or soft thread sealant on male thread of the sprinkler for leak tight sprinkler joint, Use proper wrench. Use appropriate torque, excessive tightening, torque may distort the sprinkler inlet and cause leakage.

The HD sprinkler described here in must be installed and maintained in accordance with the latest edition of HD technical data, the latest standards of the National Fire Protection Association (NFPA) and Factory Mutual (FM) or to the standards of authorities having jurisdiction.

The owner is solely responsible for maintaining their fire protection system and devices in proper operating condition

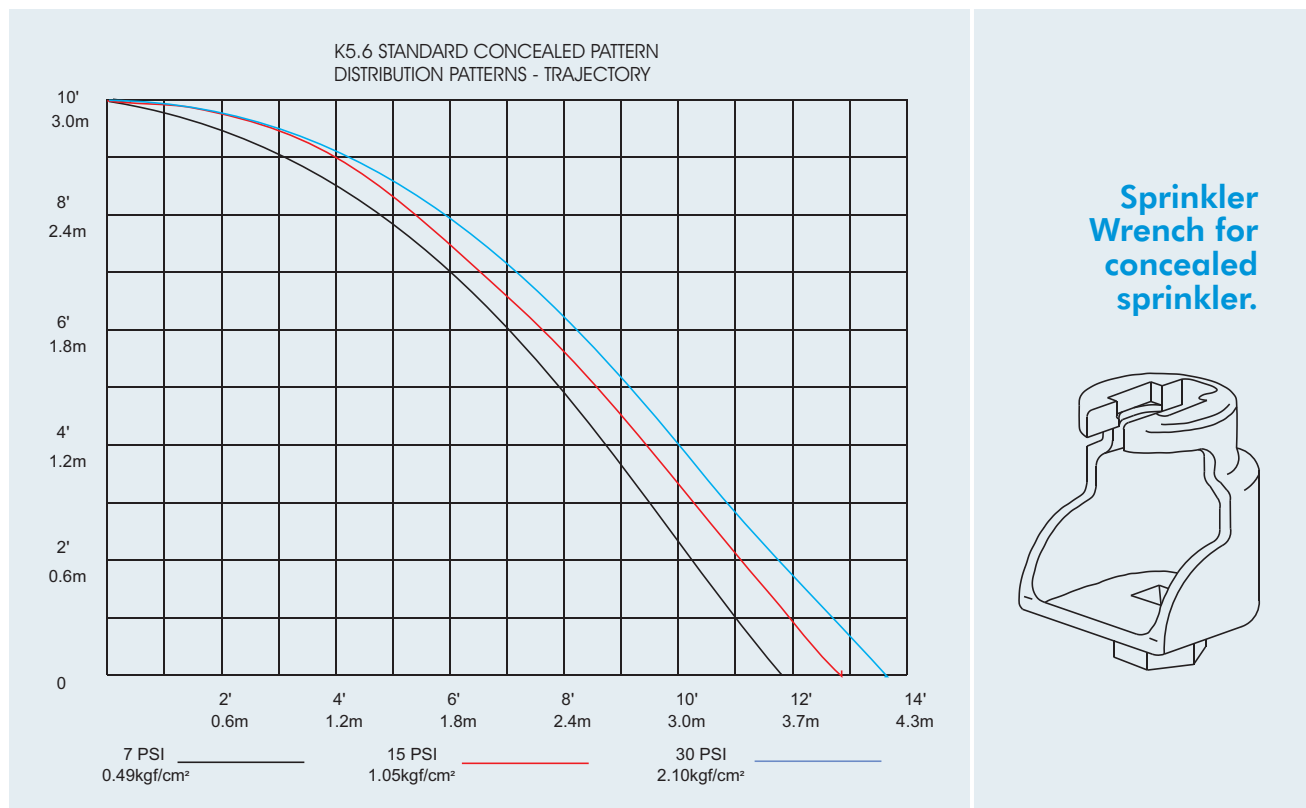
### Inspection Testing and Maintenance:

Refer to NFPA 25 for inspection testing and maintenance requirement or to the authority having jurisdiction.

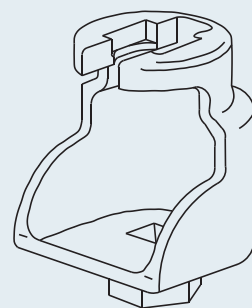
### Limited Warranty :

For detail of warranty refer HD'S current price list condition of sale or contact HD directly.

### Distribution Pattern



Sprinkler Wrench for concealed sprinkler.



# HD SPRINKLER



Pendent Concealed Sprinkler Quick & Standard Response



C-3/6, Nandanvan Ind. Estate, L.B.S. Road, Thane - 400 604. India  
PHONES : +(91) 22 2583 5434 2582 6958 2582 6793  
FAX : +(91) 22 2581 2524 6796 9049  
EMAIL : info@hdfire.com WEBSITE : www.hdfire.com



### Technical Data

Style	: Pendent Concealed
Nominal Orifice Size	: 1/2" (12.7 mm)
K-Factor	: 5.6 US ( 80 metric)
Nominal Thread Size	: 1/2" NPT / BSPT housing
Max. Working Pressure	: 175 PSI (12 Bar)
Factory Hydrostatic Test Pressure	: 500 PSI (34.5 Bar)
Min. Operating Pressure	: 7 PSI (0.5 Bar)
Temperature Rating	: 68° C / 155° F, 93° C / 200° F
Cover Finish	: Chrome Plated, White Painted, Custom Painted
Approvals	: UL Listed
Ordering Information	: SIN number, Temperature Rating and Finish

### Sprinkler Identification Number/Model Number

SIN No.	Description
HD104	Concealed, standard response, K5.6 ( K80 Metric), 1/2" NPT / BSPT, 155°/200° F (68°/93°C)
HD204	Concealed, Quick response, K5.6(K80 Metric), 1/2" NPT / BSPT, temperature rating 155°/200° C (68°C/93°C)

### Product Description

HD Pendent Concealed Sprinklers are thermosensitive glass bulb sprinklers having decorative flat cover plate designed to conceal the sprinkler for smooth ceiling. The cover plates are available in several decorative finish to match architectural requirement .The unique design allows installation and testing of the sprinkler prior to installation of the cover plate with cup. Sprinkler housing is threaded to fix cover plate with cup assembly to provide 12.7mm (1/2") vertical adjustment.

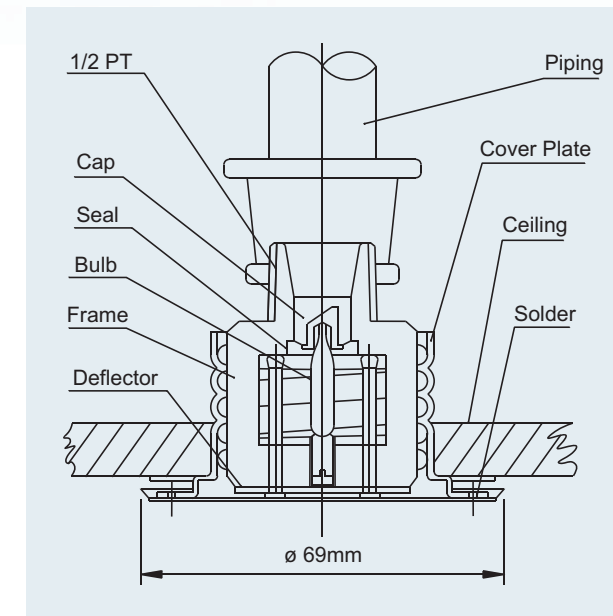
The cover plate and cup design allows installation of the sprinkler and pressure testing of the fire fighting system prior to installation of a suspended ceiling or final painting of the ceiling . The sprinkler cover assembly can be removed and reinstalled for removal of ceiling panels for access to building service equipments.HD Pendent Concealed Sprinklers are Standard Response (5mm glass bulb) or Quick response (3mm glass bulb) with standard coverage.

### Sprinkler Operation

The Sprinkler operating device is a state of the art, heat responsive frangible glass bulb supplied by a world leader in this innovative technology. During fire conditions due to increase in temperature, cover plate which is soldered to the cup detaches and the sprinkler deflector drops down to its operating position. Continuous rise in temperature causes the heat sensitive liquid in the glass bulb to expand .When the rated temperature is reached the bulb shatters and water flows through the sprinkler and strikes the deflector ,forming a uniform water spray pattern to control or extinguish the fire

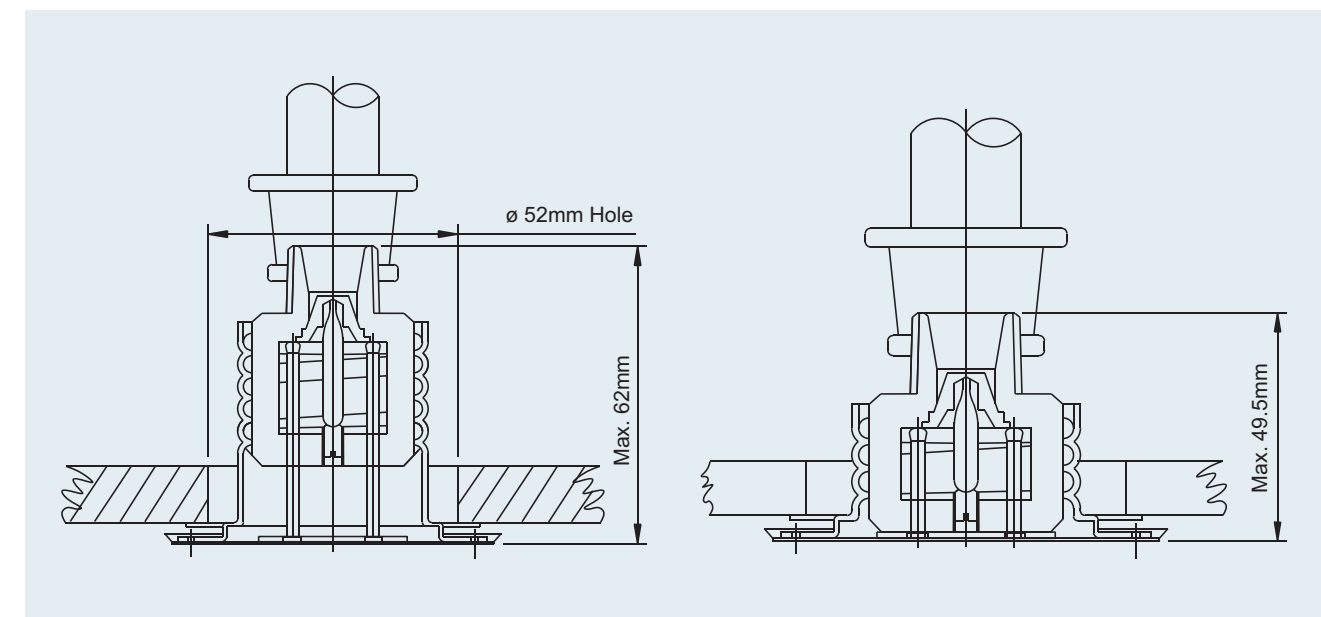
### Coverage

The HD pendent & upright sprinklers are to be installed in a fire protection system designed in accordance with the standard installation rules recognized by the listing or approval agency having local jurisdiction .



### Material Specifications

Deflector	: ASTM C22000 B36
Cover Plate	: Fusible soldered
Bulb	: Glass with glycerine solution.
Bulb Nominal Diameter	: Standard Response 5mm diameter Quick Response 3mm diameter
Load Screw	: ASTM C36000 B16
Cap	: Copper
Seal	: Belleville Washer coated on both side with Teflon Tape.
Frame	: ASTM 37700 B124



### Sprinkler Ratings

SPRINKLER TEMPERATURE	NORMAL SPRINKLER TEMPERATURE RATING	N.F.P.A MAXIMUM AMBIENT (CEILING)	GLASS BULB COLOUR CLASSIFICATION	COVER TEMPERATURE
Ordinary	68° C /155° F	38° C /100° F	Red	57° C / 135° F
Intermediate	93° C / 200° F	65° C / 150° F	Green	74° C / 165° F