

GENT

by Honeywell

7: THE POWER OF THE VIGILON LOOP

Interfaces

Interfaces are used to link the fire alarm system to other plant management devices such as sprinklers and security systems. They can also be used to link to a zone of conventional detectors.

The Vigilon system can accommodate a high capacity of single channel interfaces on the loop operating both inputs and outputs.

The loop powered four channel interface range has individually sectored outputs with channel 1 set as a loop powered zone module.

All interfaces are seen by the panel as one address although each input/output can have a separate label displayed at the panel.

Interfaces are either powered from the loop or require a separate mains supply. The mains power version has its own battery backup.

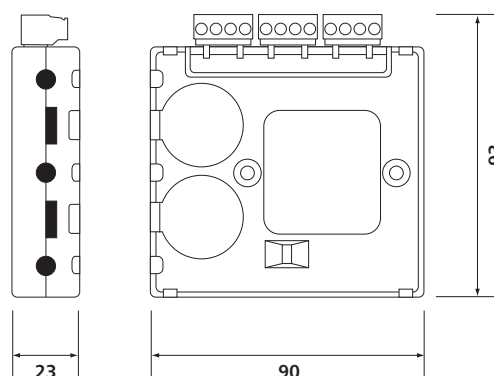


Single Input and Four Channel Input/Output Interfaces

Key Operated Interface

TECHNICAL SPECIFICATION					
Type	Low Voltage Input/Output Range			Output Interface (Mains)	Key Operated Interface
	Single Input S4-34410	Four Channel Input/Output (I/O) S4-34450	Single Input/Output S4-34420	S4-34415 / S4-34411	S4-34418
Approx Weight	92g	100g	100g	DIN mountable: 138g PCB with cover in metal box: 800g	110g
Operating Temperature	-10°C to +60°C				-25°C to +70°C
Relative Humidity	Up to 95% – Temperature +5°C to +45°C (Non condensing)				
Ingress Protection	IP31 for plastic box S4-34490, IP40 estimated for metal box S4-34492			Metal box – IP40 estimated	IP43
Device Load factor	Load Factor 1-4 switch inputs = 1 (maximum 200 per loop) 1-4 relay outputs = 2 (maximum 200 per loop only 8 individually sectored) Zone Input = 26 (maximum 30 per loop) Every LED output = + 5 (maximum 100 LED outputs per loop)			5 (maximum 200 devices per loop)	1
Panel Compatibility	Compatible with Loop = V3.93 / V4.35 and Main Control Card = V3.94 / V4.37				
Approvals	Approval EN54-17: 2005 and EN54-18: 2005			LPCB	EN54-17 pending

Dimensions (mm)



ORDER CODES

Single Input Interface	S4-34410
Four Channel Input/Output Interface	S4-34450
Single Input/Output Interface	S4-34420
DIN rail mount bracket	S4-34491
Key operated Interface	S4-34418
12-Input Interface	S4-34412