

Talentum® Adjustable Mounting Bracket 07127-00

To complement your Talentum installation, we also offer a comprehensive range of accessories and tools for your specialist application.

The 007127 is an adjustable mounting bracket for use with Talentum flame detectors. The mount is adjustable both in the horizontal and down direction, by 45° and left or right by ±45°.



FEATURES

Stainless steel (304)

Weight: 0.7 kg (1½")

TALENTUM FIRE DETECTORS

16581	Flame Detector IR2
16571	Flame Detector IR2 (I.S)
16511	Flame Detector IR2 (Ex d)
16591	Flame Detector UV/IR2
16589	Flame Detector IR3
16579	Flame Detector IR3 (I.S.)
16519	Flame Detector IR3 (Ex d)

ACCESSORIES

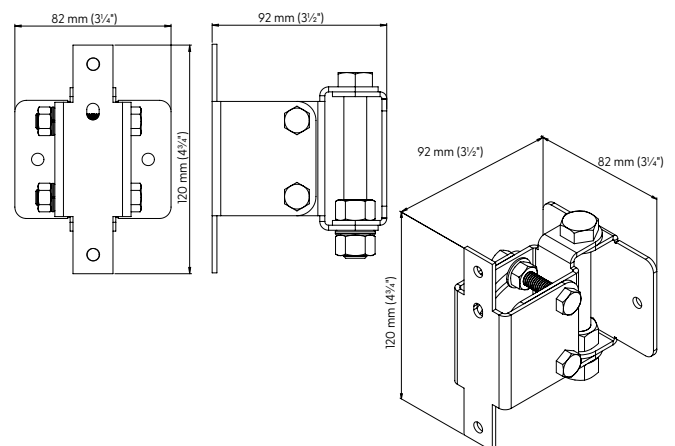
07127-00	Adjustable Mounting Bracket
12545-00	Weather Shield [SS]
07279-00	Weather Shield (Ex d) [SS]
12556-00	Air Purge Adapter
12555-00	Air Purge Adapter (Ex d)
1800-101	Talentum Test Torch

DIMENSIONS

Length: 92 mm (3½")

Width: 82 mm (3¼")

Height: 120 mm (4¾")



Specifications and wiring information are provided for information only and are believed to be accurate. FFE Ltd assumes no responsibility for their use. Data and design are subject to change without notice. Installation and wiring instructions are shipped with the products and should always be used for actual installation. For more information, contact your Sales Representative. Document Part No: 24-0122-03

