

Talentum[®] Flame Detector IR2 Ex d [EN] 16511-00

The Talentum[®] Flame Detector IR2 Ex d is designed to protect hazardous areas where open fires may be expected and detects almost all flames, including hydrocarbon fires with 4.3 µm emissions through to invisible fires such as hydrogen.

The IR2 Flame Detector is sensitive to flickering, low frequency (1-15 Hz) infra-red radiation emitted by flames during combustion even if the lens is contaminated by a layer of oil, dust, water, vapour or ice.

This detector has two IR sensors which respond to different IR wavelengths in order to discriminate between flames and spurious sources of radiation. False alarms from flickering sunlight are avoided by a combination of filters and signal processing techniques.

The Talentum[®] IR2 detector has selectable output options of relay contacts or 4-20 mA signal, as standard.



FEATURES

High immunity to false sources
Tolerant of fumes, vapours, dust and mist
Suitable for indoor areas
Detects flames through glass
Unaffected by convection currents, draughts or wind
Proven response to multiple fuel types
Multi-spectrum detection
Selectable output options
Selectable response speed
Selectable sensitivity levels
Built in auto and manual test
Low current consumption
Fast response to fire

APPROVALS

Worldwide approvals include EN54:10, LPCB, ATEX, and IECEx certification. Visit ffeuk.com for up-to-date approvals information.

APPLICATIONS

Chemical plants	Nuclear power sites
Coal handling	Pharmaceutical production
Engine rooms	Printing
LNG/LPG production	Spray booths
Military and marine	Waste recycling

ACCESSORIES

07127-00	Adjustable Mounting Bracket
07279-00	Weather Shield (Ex d) [SS]
12555-00	Air Purge (Ex d)
1800-101	Talentum Test Torch

SCAN THE QR CODE
TO EXPLORE THE TALENTUM
PRODUCT RANGE



Talentum® Flame Detector IR2 Ex d

16511-00

MECHANICAL SPECIFICATION

Housing material	Copper free aluminium alloy
Housing colour	Red
Dimensions	158(h) x 149(w) x 134(d) mm (6"(h) x 5 7/8"(w) x 5 1/8"(d))
Weight	2.3 kg (5 lbs)
Cable gland entries	3 x 20 mm (3 x 3/4")
Wiring	1.0 to 4.0 mm ² (12 - 18 AWG)

ELECTRICAL SPECIFICATION

Supply voltage	14 to 30 VDC
Quiescent current	8 mA, RL2 energised 4 mA, current loop, RL2 off 3 mA, RL2 off
Alarm current	28 mA, RL1 & RL2 energised 20 mA, current loop, RL1 & 2 off 9 mA, RL1 energised
Power-up time	2 seconds max.
Self test voltage	14 to 30 VDC
Relay outputs	Programmable operation including latching or non-latching
Relay maximum ratings	
Current	0.75 A
Voltage	48 Vdc
Power	30 W
(Note: resistive loads only)	
Refer to User Manual for further details	

ENVIRONMENTAL

Operating temperature	-10°C to +55°C (+14°F to +131°F)
Storage temperature	-20°C to +65°C (-4°F to +149°F)
Relative humidity	95% non condensing
IP rating	IP66

PERFORMANCE

Range	
High (Class 1)*	0.1 m ² n-heptane at 25 m
Low (Class 3)	0.1 m ² n-heptane at 12 m (see EN54:10 for sensitivity settings)
Field of view	90° min. Cone
Operating wavelength	
IR	1.0 to 2.7 µm
* Has been tested and approved at Class I	

RESPONSE CHARACTERISTICS – HIGH SENSITIVITY

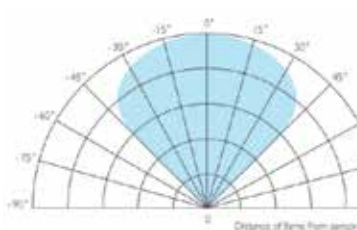
Fuel	Flame size m ² (in ²)	Distance m (ft)	Approval
n-Heptane* (Yellow flame)	0.1 (144)	25 (82)	EN54-10
Methylated spirit* (Clear flame)	0.25 (400)	25 (82)	EN54-10

Response time: typically 4 seconds

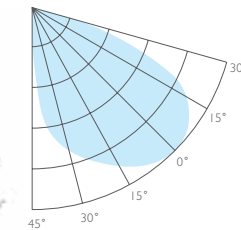
* Has been tested and approved at Class I

FIELD OF VIEW

Horizontal

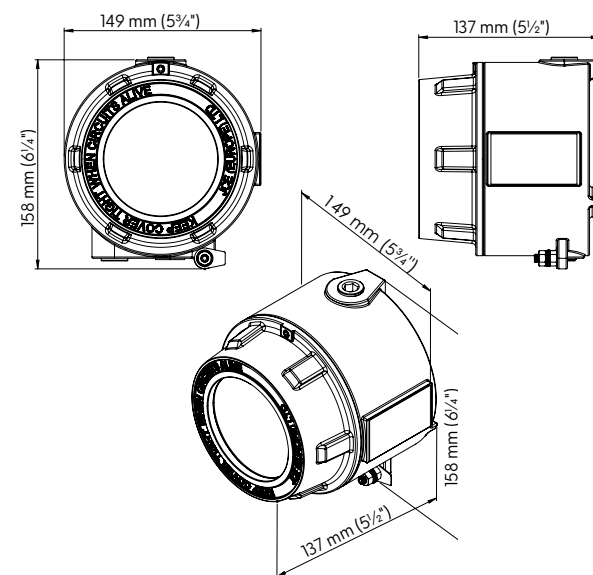


Vertical



To meet the requirements of EN54-10:2002 clause 5.4 (Directional Dependence), viewing angles must not exceed ±20°.

DIMENSIONS



INSTALLATION RECOMMENDATIONS

Please refer to our User Manual for mounting and wiring instructions. The installation of Talentum® flame detectors should be undertaken in accordance with recognised national or international standards and codes of practice.



FFE Limited, 9 Hunting Gate, Hitchin, Hertfordshire SG4 0TJ, UK
t: +44 (0) 1462 444 740 e: sales@ffeuk.com w: ffeuk.com

FFE Limited, 1455 Jamike Ave Ste 200, Erlanger, KY 41018-3147, USA
t: +1859 957 1570 e: america@ffees.com w: ffes.com

Specifications and wiring information are provided for information only and are believed to be accurate. FFE Ltd assumes no responsibility for their use. Data and design are subject to change without notice. Installation and wiring instructions are shipped with the products and should always be used for actual installation. For more information, contact your Sales Representative.
Document Part No: 24-0246-05