

## Talentum® Air Purge Adapter 12556-00

To complement your Talentum installation, we also offer a comprehensive range of accessories and tools for your specialist application.

The Air Purge Adapter is intended to be mounted in between a Flame Detector and adjustable mounting bracket, with the Air Purge Adapter nozzle positioned to channel air from the inlet onto the window of the flame detector to prevent obscuration by particles.



### INSTALLATION

The Air Purge Adapter should be connected to an external air supply via the female ¼" BSP non return valve.

The air should be oil free and dry with a pressure range from 7 psi (0.5 Bar) to 50 psi (3.5 Bar).

If the air is not required continuously to keep the viewing window clean then a pulse of air can be supplied at regular intervals.

**CAUTION:** This product is not suitable for use in ATEX zone 0 – For use in ATEX zone 1/21 or 2/222, air must be clean and the system blown through before placing in a hazardous environment.

### TALENTUM FIRE DETECTORS

|       |                           |
|-------|---------------------------|
| 16581 | Flame Detector IR2        |
| 16571 | Flame Detector IR2 (I.S)  |
| 16511 | Flame Detector IR2 (Ex d) |
| 16591 | Flame Detector UV/IR2     |
| 16589 | Flame Detector IR3        |
| 16579 | Flame Detector IR3 (I.S)  |
| 16519 | Flame Detector IR3 (Ex d) |

### ACCESSORIES

|          |                             |
|----------|-----------------------------|
| 07127-00 | Adjustable Mounting Bracket |
| 12545-00 | Weather Shield [SS]         |
| 07279-00 | Weather Shield (Ex d) [SS]  |
| 12556-00 | Air Purge Adapter           |
| 12555-00 | Air Purge Adapter (Ex d)    |
| 1800-101 | Talentum Test Torch         |

### DIMENSIONS

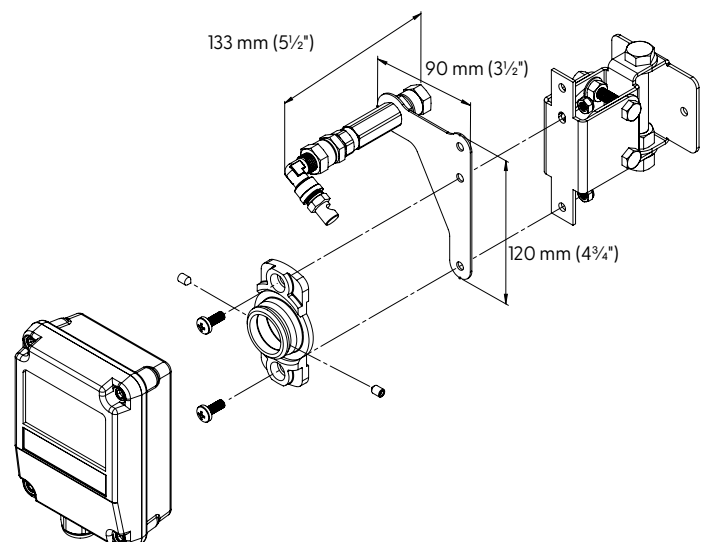
Length: 133 mm (5½")

Width: 90 mm (3½")

Height: 120 mm (4¾")

### MOUNTING

The Air Purge nozzle must be angled at 30° from horizontal in order to maximize the air flow over the front window.



Specifications and wiring information are provided for information only and are believed to be accurate. FFE Ltd assumes no responsibility for their use. Data and design are subject to change without notice. Installation and wiring instructions are shipped with the products and should always be used for actual installation. For more information, contact your Sales Representative. Document Part No: 24-0122-03

