

HANDLINE NOZZLES



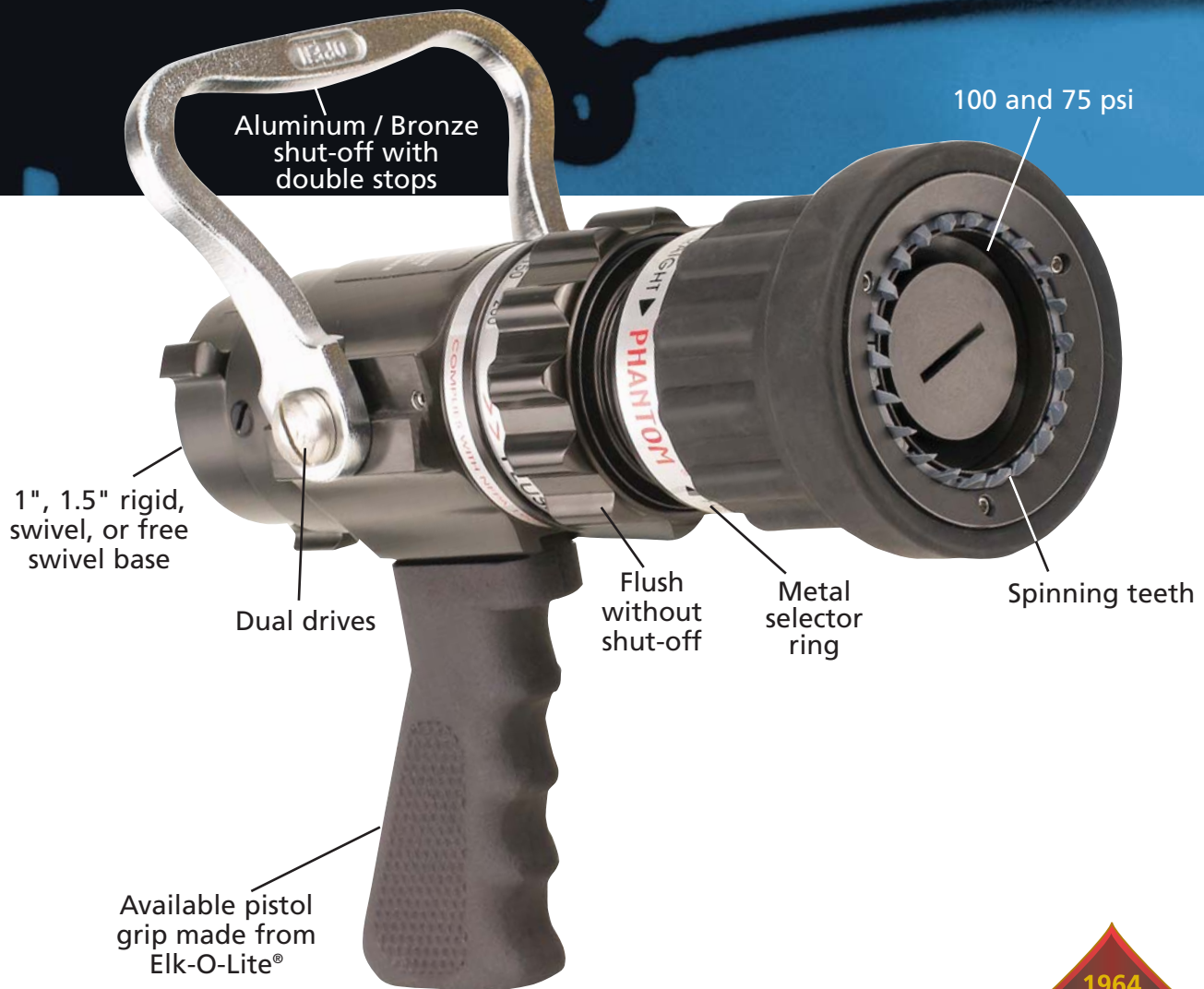
PHANTOM®

Phantom®

The selectable gallonage Phantom® lets the firefighter select the appropriate flow. The wide selection range standard with the Phantom® makes it one nozzle for every use from brush to interior attack. The Phantom® is designed for reliable performance with rugged metal selector ring and dual drive metal ball shut-off. Available standard in 100 psi and true 75 psi models.

HANDLINE NOZZLES

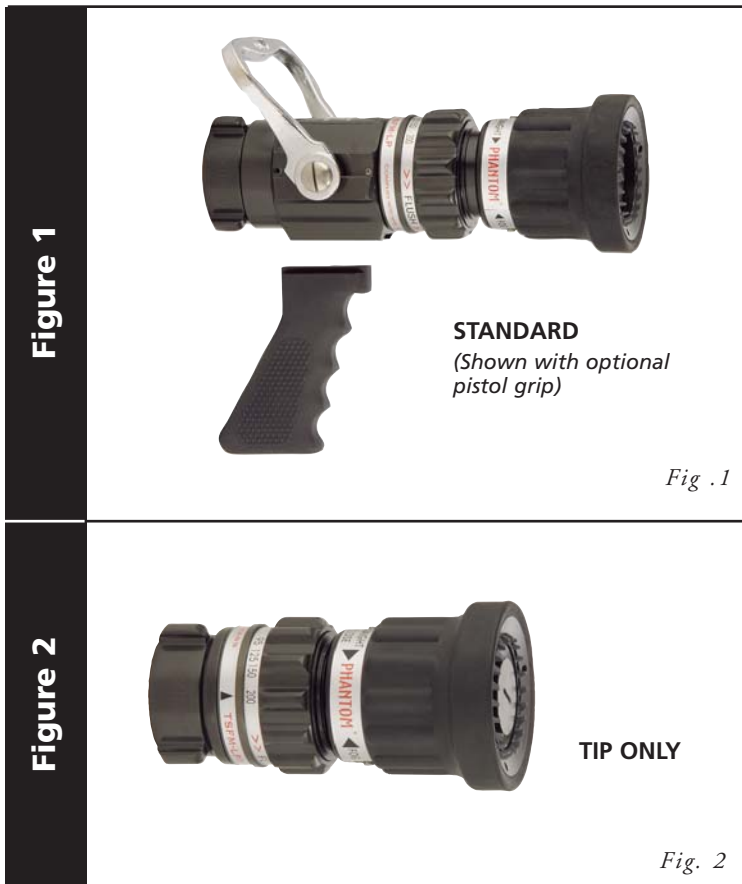
1-11



Base Size	FLOW RATE	PRESSURE	TYPE	BREAK-APART COMPONENTS		GRIP	BASE			SHUT-OFF		HANDLE		TEETH	MODEL	FIGURE		
	GPM (LPM)			PSI (BAR)	Tip		Shut-Off*	Pistol Grip	Rigid	Swivel	Free Swivel	Twist	Ball				Tab	Horseshoe
1"	15/30/45/60 (57/114/170/227)	100 (6.89)	NOZZLE							s		•	s		PSFS-HP	1		
			NOZZLE			•				s		•	s		PSFS-HPG	1		
			TIP							s					s	TPSFS-HP	2	
			TIP							s		•			s	TPSFS-HPT	2	
1.5"	30/95/125/150/200 (114/360/473/568/757)	100 (6.89)	NOZZLE						s	o		•	o	s	s	SFM-HP	1	
			NOZZLE			•			o	s		•	o	s	s	SFM-HPG	1	
			TIP							s					s	TFSM-HP	2	
			TIP							s		•			s	TFSM-HPT	2	
			NOZZLE						s	o		•	o	s	s	SFM-LP	1	
		75 (5.17)	NOZZLE			•				o	s		•	o	s	s	SFM-LPG	1
			BREAK-APART	TSFM-LP	B-275-A					o	s	o	•	o		s	STFSM-LP	
			TIP								s					s	TSFM-LP	2
			TIP								s					s	TSFM-LPT	2
			TIP								s		•			s	TSFM-LPT	2

Key s = standard o = option
 *Break-apart nozzles list standard configuration for shut-off.

PHANTOM® CONFIGURATIONS



Figures depict general product types only and are not intended to be inclusive of all product features.

OPTIONS						
COLORS						
black	red	orange	yellow	green	blue	white
Color options available for pistol grip, bumper, and handle. White bumper not available. Phantom® nozzle standards are a black bumper, rough chrome handle, and natural Elk-O-Lite® pistol grip.						
HANDLES						
TAB			HORSESHOE			
THREADS						
All nozzles are NHT unless otherwise specified. See index T-12 for optional base threads, including British instantaneous.						
METRIC						
When ordering the metric version of a 1" Phantom nozzle, the flow rate will be set and labeled at 60/120/180/240 LPM (15/32/47/64 gpm).						
BREAK-APART COMPONENTS						
Ball shut-offs and/or playpipes referenced here may be found on page 1-24.						