

# Horns

## Vibrating

### 870 Series



The 870 Series vibrating horns are low-current, high decibel, for heavy-duty use and are UL listed to NEMA 4X, NEMA 12 and NEMA 12K enclosure requirements. The die-cast box is suitable for outdoor use and has a durable, corrosion-resistant, electrostatic heat flowed powder epoxy gray finish. They may be used for indoor and outdoor applications.

Horn mounts on 3/4" NPT conduit or to any flat surface. Knockouts are located on the bottom and rear of the unit.

### Features

- Convenient plug-in assembly
- Corrosion resistant finish
- Volume adjustable
- Completely assembled
- NEMA 4X, NEMA 12 and NEMA 12K rated enclosure
- Operating range: -20% to +10% of nominal volt

### 876 AC

- Adjustable output: 88 to 113dB @ 1m (78 to 103dB @ 10ft.)

### 877 DC

- Adjustable output: 88 to 111dB @ 1m (78 to 101dB @ 10ft.)

### Ordering Information

Description	Cat. No.	Operating Voltage <sup>2</sup>	Current	VA	dB at 1m/10ft. <sup>1</sup>	DC Coil Res (Ohms)
AC	876-E5	12V AC	1.25 A	15	113/103	1.5
	876-G5	24V AC	0.63 A	15.1	113/103	5.2
	876-N5 <sup>3</sup>	120V AC	0.13 A	15.6	113/103	150
	876-R5	240V AC	0.07 A	16.8	113/103	580
DC Horn	877-E1	12V DC	0.27 A	3.2	111/101	6
	877-G1	24V DC	0.16 A	3.8	111/101	24
	877-J1	32V DC	0.13 A	4.2	111/101	40
	877-K1	48V DC	0.07 A	3.5	111/101	96
	877-P1	125V DC	0.025 A	3.1	111/101	600

<sup>1</sup>Measured in an anechoic chamber.

<sup>2</sup>AC voltage frequency is 50/60 Hz.

<sup>3</sup>Diode Polarized version available in red, order 886D-N5.

### Accessories

Description	Cat. No.
Plastic Projector	872-PO

### Signal Input Load Characteristics

These devices may be operated by PLCs with output characteristics that match the input load requirements of the signal.

Cat. No.	Operating Voltage	Max. Off State Leakage Current (A)	Continuous On Current (A)	Surge (Inrush/Duration) Amps/Seconds
876-N5	120V AC	0.025	0.120	1.02/.000026
877-G1	24V DC	0.025	0.150	1.7/.000042



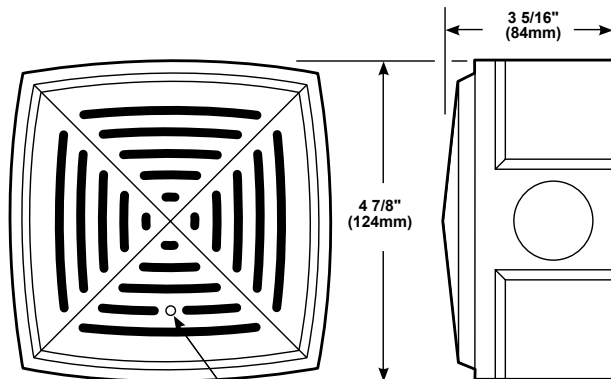
# Horns

## Vibrating

### 870 Series

#### Weights and Dimensions

Cat. No.	Approx. Net Weight (lb.)	Approx. Shipping Weight (lb.)
876-E5	3.20	3.40
876-G5	3.20	3.40
876-N5	3.20	3.40
876-R5	3.20	3.40
877-E1	3.20	3.40
877-G1	3.20	3.40
877-J1	3.20 <td 3.40	
877-K1	3.20	3.40
877-P1	3.20	3.40
872-PO	0.34	0.58



Volume adjustment set screw  
1/16" (2mm) allen wrench supplied