

Horns

Vibrating

870 Series

The 870 Series projector vibrating horns are low-current, high decibel single and double horns for heavy-duty, indoor use. The single projector is designed to channel sound in one direction without decibel loss. The double projectors are designed for bi-directional signaling without decibel loss. Supplied complete with mounting plate for easy installation.

Features and Specifications

- Corrosion resistant finish
- Volume adjustable
- Completely assembled
- Heavy duty die-cast housing
- Operating range: -20% to +10% of nominal voltage

872 AC and 872DPO AC

- Adjustable output: 88 to 113dB @ 1m (78 to 103dB @ 10ft.) **(872 AC)**
- Adjustable output: 88 to 111dB @ 1m (78 to 101dB @ 10ft.) **(872DPO AC)**
- FM Approved

873 DC and 873DPO DC

- Adjustable output: 88 to 101dB @ 1m (78 to 91dB @ 10ft.) **(873 DC)**
- Adjustable output: 88 to 99dB @ 1m (78 to 89dB @ 10ft.) **(873DPO DC)**



Ordering Information

Description	Cat. No.	Operating Voltage	Current	VA	dB at 1m/10ft. ¹	DC Coil Res (Ohms)
Single Projector, AC	872-G5	24V AC	0.63 A	15.1	113/103	5.2
	872-N5²	120V AC	0.13 A	15.6	113/103	150
	872-R5	240V AC	0.07 A	16.8	113/103	580
Single Projector, DC	873-G1	24V DC	0.16 A	3.8	101/91	24
	873-P1	125V DC	0.025 A	3.1	101/91	600
	873-S1	250V DC	0.014 A	3.5	101/91	2640
Double Projector, AC	872DPO-G5	24V AC	0.63 A	15.1	111/101	5.2
	872DPO-N5	120V AC	0.13 A	15.6	111/101	150
	872DPO-R5	240V AC	0.07 A	16.8	111/101	580
Double Projector, DC	873DPO-G1	24V DC	0.16 A	3.8	99/89	24
	873DPO-P1	125V DC	0.025 A	3.1	99/89	600
	873DPO-S1	250V DC	0.014 A	3.5	99/89	2640

¹ Measured in an anechoic chamber.

² Diode Polarized version available in red, order **882D-N5**.

Signal Input Load Characteristics

These devices may be operated by PLCs with output characteristics that match the input load requirements of the signal.

Cat. No.	Operating Voltage	Max. Off State Leakage Current (A)	Continuous On Current (A)	Surge (Inrush/Duration) Amps/Seconds
872-N5	120V AC	0.025	0.120	1.02/.000026
873-G1	24V DC	0.025	0.150	1.7/.000042
872DPO-N5	120V AC	0.025	0.120	1.02/.000026
873DPO-G1	24V DC	0.025	0.150	1.7/.000042

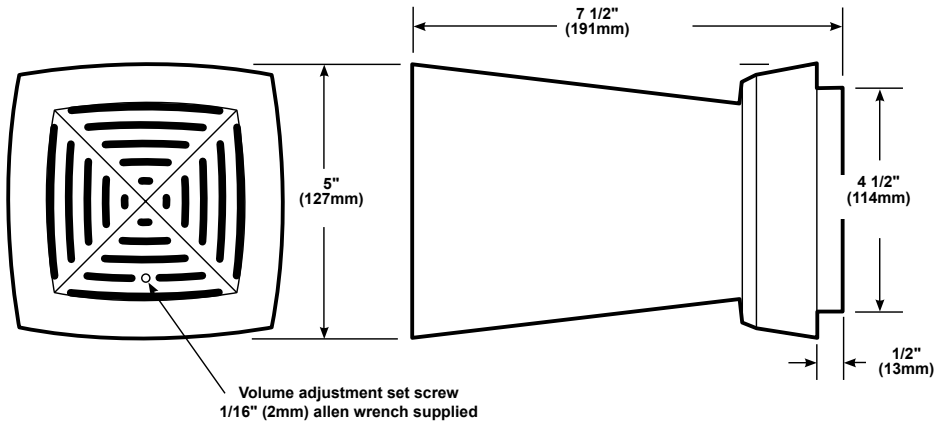


Horns Vibrating 870 Series

Weights and Dimensions

Cat. No.	Approx. Net Weight (lb.)	Approx. Shipping Weight (lb.)
872-G5	2.90	3.24
872-N5	2.90	3.24
872-R5	2.90	3.24
873-G1	2.99	2.80
873-P1	2.99	2.80
873-S1	2.99	2.80
872DPO-G5	4.10	5.00
872DPO-N5	4.10	5.00
872DPO-R5	4.10	5.00
873DPO-G1	4.10	5.00
873DPO-P1	4.10	5.00
873DPO-S1	4.10	5.00

872 and 873 Series



872DPO and 873DPO Series

