

Standalone Detection Smoke Detectors

517 Series



Edwards 517 Series Single Station Smoke Detectors feature a solid state piezo signal and a strobe with "FIRE" lettering.

The 517TCS/517TCSB Series provides the 3 pulse temporal pattern evacuation tone as a standard feature. The smoke alarm operates on the light scattering principle, using a pulsing LED light source and a photodiode sensor in a fully screened sensing chamber. Upon activation, the alarm will emit a local audible signal and activate the high intensity strobe.

They are designed for ceiling or wall mounting on a 4" (102mm) square mounting box using a universal mounting plate, and have a quick-disconnect plug connection.

Features and Specifications

- Quadra-port smoke entry
- 3 position functional test switch
- Solid-state LED condition indicator
- Quick disconnect wiring harness
- 9V DC alkaline battery back-up
- Tandem connection up to 6 alarms per system
- Dry contacts will activate from the tandem wire
- Temporal pattern evacuation sounding device
- 100dB @ 1m/90dB @ 10ft.
- Operating temperature range: 40°F to 100°F (4.4°C to 37.8°C)

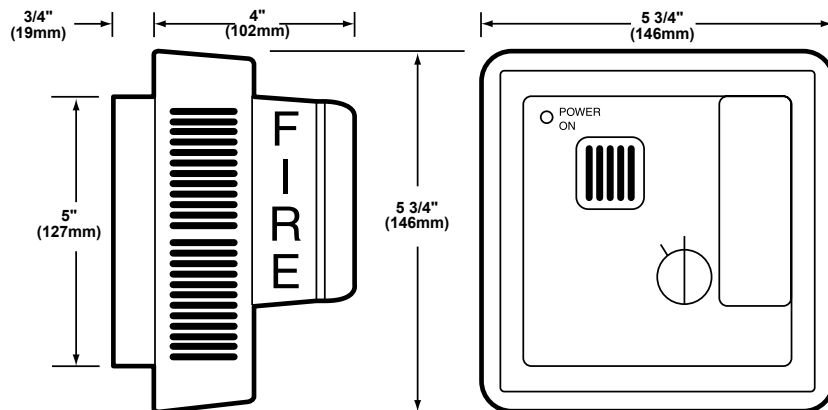
Ordering Information

Description	Cat. No.	Operating Voltage ¹	Current	UL 1971 Strobe Output	dB at 1m/10ft.	Mounting	Nominal Sensitivity	Auxiliary Relay (Standard)
Smoke Detector	517TCS-C	120V AC	0.4 A (peak)	177 cd	100/90	Ceiling	2.5% Obscuration	1 Form C (1 A @ 24V DC; 0.6 A @ 125V AC)
	517TCS-W	120V AC	0.4 A (peak)	177 cd	100/90	Wall		
Smoke Detector with 9V DC Battery Backup	517TCSB-C	120V AC	0.4 A (peak)	177 cd	100/90	Ceiling		
	517TCSB-W	120V AC	0.4 A (peak)	177 cd	100/90	Wall		

¹AC voltage frequency is 60 Hz.

Weights and Dimensions

Cat. No.	Approx. Shipping Weight (lb.)
517TCS-C	1.2
517TCS-W	1.2
517TCSB-C	1.6
517TCSB-W	1.6



MEASUREMENT SERVICE
MEASUREMENT SERVICE

Patented