

Eluxa outdoor 3R/4X multi-tone horns and horn strobes

EL3RMT/EL4XMT Multi-Tone Horn EL3RMTST/EL4XMTST Multi-tone Horn Strobe EL3RMTSTA/ EL4XMTSTA Multi-tone Horn Strobe (Amber)



The Wheelock Eluxa weatherproof series EL3RMT/EL4XMT Multi-Tone Horn and EL4XMTST/EL3RMTST Multi-Tone Horn Strobe (and Amber) appliances are designed for easy installation with a pre-wire capable EL4XBB surface box or EL3RMP mounting plate. Eluxa EL3RMT/EL4XMT Multi-Tone Horn and EL4XMTST/EL3RMTST Multi-Tone Horn Strobe (and Amber) are UL Certified for fire protection service under Standard UL1971 for Signaling Devices for the Deaf and Hard of Hearing, UL1638 for Visual Signaling Devices and Standard UL464 for Audible Signaling Devices. The Eluxa 4X/3R Multi-Tone is also ULC Listed under Standard ULC 526 for Visual Signaling Devices and under Standard ULC-525 for Audible Signaling Devices for Fire Alarm Systems. All Eluxa 4X/3R models are listed for indoor/outdoor use, and for wall or ceiling mount.

Amber lens is certified for Emergency Warning and meets the light output requirements of UL1971

Rugged

The cutting-edge solution delivers optimal performance thanks to its NEMA type 3R and 4X ratings, which make it resistant to corrosion and ice formation (4X only). The IP54 and IP66 ratings provide superior protection against dust and water, making it ideal for areas of high humidity, extreme heat, or severe cold.

Energy Efficient

With six candela settings in a single device, Eluxa features one of the industry's lowest current draws across the full candela range. The Eluxa outdoor product line reduces overall power consumption, allowing for more appliances on each circuit (NAC) and fewer power supplies.

Compliance and Approvals

- Certified to NEMA type 3R | 4X
- IP54 | IP66 Certified | Tested to IP67
- NFPA 72 2016 (Meets maximum light pulse duration of 20 ms)
- IEC 60529 2nd edition + amendment 3- August 2013
- FCC Part 15B / ICES-003- Class A
- UL 50 13th edition- October 2020
- UL 50E 3rd edition- October 2020
- UL464 11th edition: CAN/ULC 525 5th edition- May 2023
- UL1480 7th edition: CAN/ULC 541 5th edition- May 2023
- UL1638 6th edition: CAN/ULC 526 5th edition- April 2023
- California State Fire Marshal (CSFM) - Pending
- Factory Mutual (FM) - Pending
- ADA/NFPA/ANSI/OSHA

Complete and Compliant

The Wheelock Eluxa 3R/4X series meets NFPA 2016 20 millisecond light pulse duration code requirements. In addition, the Wheelock Eluxa and LED3 product lines have been UL/ULC certified as compatible with all Fire Alarm Control Panels (FACP) and accessories that have been determined to be compatible with Wheelock model RSS Strobe based products including the RSS, CH, E, EH, ET, ST, HS, MT, S8, SA, STH and Z Series. Refer to FACP installation instructions for more detail. The Wheelock Eluxa Series and Exceder LED3 Series strobes may be installed in the same notification zone and field of view with any RSS Strobe based product.

EATON

Powering Business Worldwide

Complete and Compliant

Eluxa 4X/3R Strobe can provide a non-synchronized strobe appliance when connected directly to a Fire Alarm Control Panel (FACP), or provide

a synchronized strobe appliance when used in conjunction with an FACP that incorporates the Wheellock Sync Protocol, a DualSync Module (DSM) or a Wheellock Power Supply.

Drawings

Figure 1. Eluxa outdoor 3R

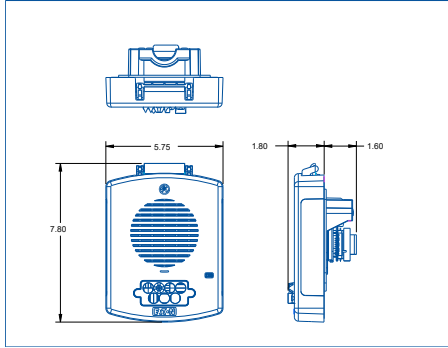


Figure 2. Eluxa outdoor 4X

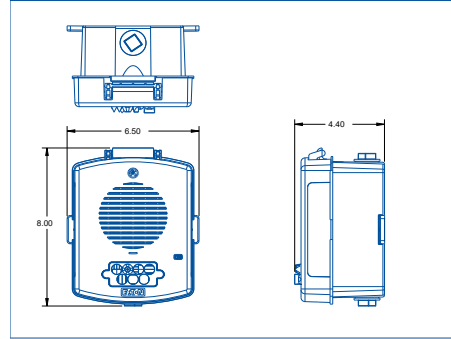


Table 1: Eluxa 4X/3R Multi-Tone - Current and Sound Pressure Level Ratings

Tone	Volume	Maximum RMS Current (AMPS)		Maximum RMS Current (AMPS)		Reverberant dBA at 10ft Per UL464/ULC525
		16-33VDC	16-33VFWR	8-17.5VDC	8-17.5VFWR	
Horn	HI	0.108	0.087	0.177	0.172	88
	STD	0.044	0.045	0.034	0.039	83
Bell	HI	0.053	0.067	0.095	0.095	81
	STD	0.024	0.028	0.020	0.023	75
March Time	HI	0.104	0.087	0.142	0.156	88
	STD	0.087	0.045	0.034	0.041	83
Code 3 Horn	HI	0.122	0.087	0.200	0.183	88
	STD	0.035	0.045	0.034	0.039	83
Code 3 Tone	HI	0.135	0.110	0.152	0.150	81
	STD	0.035	0.032	0.027	0.030	76
Slow Whoop	HI	0.098	0.092	0.142	0.142	87
	STD	0.037	0.042	0.035	0.038	81
Siren	HI	0.104	0.092	0.152	0.152	87
	STD	0.042	0.040	0.03	0.034	81
HI/LO	HI	0.057	0.063	0.114	0.114	84
	STD	0.035	0.035	0.027	0.030	79

Table 1A: EL4X/3R Multi-tone horn Directional Characteristics

-3dB	+/- 43 Degrees Horizontal, +/- 48 Degrees Vertical
-6dB	+/- 53 Degrees Horizontal, +/- 56 Degrees Vertical
-18dB	+/- 90 Degrees Horizontal/Vertical

Table 2. EL3RMST/EL4XMST Strobe Ratings at 24V (AMPS)

Strobe (Clear)	Regulated Voltage Range VDC	UL/ULC Max Current					
		24VDC FWR					
		15	30	75	110	150	185
EL3RMST	16.0-33.0	0.026	0.038	0.069	0.097	0.179	0.206
EL4XMST	16.0-33.0	0.026	0.038	0.070	0.097	0.179	0.206
	FWR	0.034	0.053	0.098	0.137	0.235	0.308
Strobe (Amber)		15	30	75	95	150	177
EL3RMTSTA (Amber)	16.0-33.0	0.026	0.038	0.699	0.097	0.179	0.206
EL4XMTSTA (Amber)	16.0-33.0	0.026	0.038	0.070	0.097	0.179	0.206
	FWR	0.034	0.053	0.098	0.137	0.235	0.308

Table 3. Specifications

Physical	
Material	Red or white textured UV stabilized, colored impregnated engineered plastic.
Weight	3R = 1.7 lbs 4X = 2.3
Lens	Light Emitting Diode (LED) in a rugged Lexan lens
Dimensions	3R: 7.8"L x 5.75"W x 1.6"H 4X: 8"L x 6.5"W x 4.5"H
Operating Temperature	Indoor/Outdoor Use. -40° C to 66° C (-40° F to 150° F) 95% R.H.
Mounting & Wire Connections	
Mounting	Wall & Ceiling
Wire Connections	18 to 12 AWG. 2 wire. EL3R/EL4XMTS is 4 wire
Power & General	
Operating voltage	16-33 VDC/FWR. MT only certified for 8-17.5Vdc and FWR
Strobe Output Rating	Clear 15/30/75/110/150/185 Cd Amber 15/30/75/95/150/177 Cd
Strobe Flash Rate	1 Hz
Synchronization Models	ALL

Table 4. Ordering Information

Model	Strobe Candela	White	Red	Lens Color	Mounting	Sync with DSM or Wheelock Power Supplies
Multi-tone						
EL3RMT-NR	n/a		X	n/a	Ceiling or Wall	X
EL3RMT-NW	n/a	X		n/a	Ceiling or Wall	X
EL4XMT-NR	n/a		X	n/a	Ceiling or Wall	X
EL4XMT-NW	n/a	X		n/a	Ceiling or Wall	X
Multi-tone Strobe						
EL3RMTST-FR	15/30/75/110/150/185cd		X	Clear	Ceiling or Wall	X
EL3RMTST-FW	15/30/75/110/150/185cd	X		Clear	Ceiling or Wall	X
EL4XMTST-FR	15/30/75/110/150/185cd		X	Clear	Ceiling or Wall	X
EL4XMTST-FW	15/30/75/110/150/185cd	x		Clear	Ceiling or Wall	X
EL3RMTSTA-ALW	15/30/75/95/150/177cd	X		Amber	Ceiling or Wall	X
EL3RMTSTA-NW	15/30/75/95/150/177cd	X		Amber	Ceiling or Wall	X
EL4XMTSTA-ALW	15/30/75/95/150/177cd	X		Amber	Ceiling or Wall	X
EL4XMTSTA-NW	15/30/75/95/150/177cd	X		Amber	Ceiling or Wall	X
	FWR: 0.034/0.053/0.098/0.137/0.235/0.308					

Table 5. Accessories

Standard Letter Plates	Color	Description
ELLP-FR (10Pk)	Red	ELUXA LETTER PLATE, RED, FIRE (10 PAIR PER PKG. - 1 PAIR PER DEVICE)
ELLP-FW (10Pk)	White	ELUXA LETTER PLATE, WHITE, FIRE (10 PAIR PER PKG. - 1 PAIR PER DEVICE)
ELLP-NR (10Pk)	Red	ELUXA LETTER PLATE, RED, NO LETTERING (10 PAIR PER PKG. - 1 PAIR PER DEVICE)
ELLP-NW (10Pk)	White	ELUXA LETTER PLATE, WHITE, NO LETTERING (10 PAIR PER PKG. - 1 PAIR PER DEVICE)
ELLP-AR (10Pk)	Red	ELUXA LETTER PLATE, RED, AGENT (10 PAIR PER PKG. - 1 PAIR PER DEVICE)
ELLP-AW (10Pk)	White	ELUXA LETTER PLATE, WHITE, AGENT (10 PAIR PER PKG. - 1 PAIR PER DEVICE)
ELLP-ALR (10Pk)	Red	ELUXA LETTER PLATE, RED, ALERT (10 PAIR PER PKG. - 1 PAIR PER DEVICE)
ELLP-ALW (10Pk)	White	ELUXA LETTER PLATE, WHITE, ALERT (10 PAIR PER PKG. - 1 PAIR PER DEVICE)

Table 6. Accessories

Special Project Letter Plates	Color	Description
ELLP-COR (10Pk)	Red	ELUXA LETTER PLATE, RED, CARBON DIOXIDE (10 PAIR PER PKG. - 1 PAIR PER DEVICE)
ELLP-COW (10Pk)	White	ELUXA LETTER PLATE, WHITE, CARBON DIOXIDE (10 PAIR PER PKG. - 1 PAIR PER DEVICE)
ELLP-EVR (10Pk)	Red	ELUXA LETTER PLATE, RED, EVACUATE (10 PAIR PER PKG. - 1 PAIR PER DEVICE)
ELLP-EVW (10Pk)	White	ELUXA LETTER PLATE, WHITE, EVACUATE (10 PAIR PER PKG. - 1 PAIR PER DEVICE)
ELLP-MR (10Pk)	Red	ELUXA LETTER PLATE, RED, EMERGENCY (10 PAIR PER PKG. - 1 PAIR PER DEVICE)
ELLP-MW (10Pk)	White	ELUXA LETTER PLATE, WHITE, EMERGENCY (10 PAIR PER PKG. - 1 PAIR PER DEVICE)
ELLP-FFR (10Pk)	Red	ELUXA LETTER PLATE, RED, FIRE / FEU (10 PAIR PER PKG. - 1 PAIR PER DEVICE)
ELLP-FFW (10Pk)	White	ELUXA LETTER PLATE, WHITE, FIRE / FEU (10 PAIR PER PKG. - 1 PAIR PER DEVICE)

Architects and Engineers Specifications

The LED outdoor notification appliances shall be Wheelock® EL3RMT/EL4XMT Multi-Tone Horn EL3RMTST/EL4XMTST Multi-tone Horn Strobe EL3RMTSTA/ EL4XMTSTA Multi-tone Horn Strobe (Amber) audible appliances for wall and ceiling-mount applications with a low-profile design or approved equals. Special lettering, including AGENT, ALERT, EVACUATE, and no lettering, shall be available. The outdoor series EL3RMT/EL4XMT Multi-Tone Horn EL3RMTST/EL4XMTST Multi-tone Horn Strobe EL3RMTSTA/ EL4XMTSTA Multi-tone Horn Strobe (Amber) shall be certified for: Certified to NEMA type 3R | 4X, IP54 | IP66 Certified | Tested to IP67, NFPA 72 2016 (Meets maximum light pulse duration of 20 ms), IEC 60529 2nd edition + amendment 3- August 2013, FCC Part 15B / ICES-003- Class A, UL 50 13th edition- October 2020, UL 50E 3rd edition- October 2020, UL464 11th edition: CAN/ULC 525 5th edition- May 2023, UL1480 7th edition: CAN/ULC 541 5th edition- May 2023, UL1638 6th edition: CAN/ULC 526 5th edition- April 2023, California State Fire Marshal (CSFM)- Pending, Factory Mutual (FM)- Pending, ADA/ NFPA/ANSI/OSHA. All inputs shall be compatible with standard reverse polarity supervision of circuit wiring by a Fire Alarm Control Panel (FACP) with the ability to operate from 16 to 33 VDC/FWR.

Amber is certified for Emergency Warning.

The EL3RMT/EL4XMT Multi-Tone Horn EL3RMTST/EL4XMTST Multi-tone Horn Strobe EL3RMTSTA/ EL4XMTSTA Multi-tone Horn Strobe (Amber) appliances shall produce a flash rate of one (1) flash per second over the Regulated Voltage Range and shall incorporate a Light Emitting Diode (LED) as the light source with a rugged Lexan® lens. The appliances shall be of low current design. The LED strobe flash duration shall be 20 ms. Where Multi-Candela appliances are specified, the strobe intensity shall have 6 field selectable settings at 15, 30, 75, 110, 150 and 185 candela for the clear lens and 15, 30, 75, 95, 150, 177cd for the amber lens. The selector switch for selecting the candela shall be tamper resistant. Appliances with candela settings shall show the candela selection in a visible location at all times when installed.

The EL3RMT/EL4XMT Multi-Tone Horn EL3RMTST/EL4XMTST Multi-tone Horn Strobe EL3RMTSTA/ EL4XMTSTA Multi-tone Horn Strobe (Amber) audible shall include a hinged mounting plate.

The outdoor series EL3RMT/EL4XMT Multi-Tone Horn EL3RMTST/EL4XMTST Multi-tone Horn Strobe EL3RMTSTA/ EL4XMTSTA Multi-tone Horn Strobe (Amber) appliances shall include a mounting plate or surface mounting box from the factory. The outdoor series EL3RMT/EL4XMT Multi-Tone Horn EL3RMTST/EL4XMTST Multi-tone Horn Strobe EL3RMTSTA/ EL4XMTSTA Multi-tone Horn Strobe (Amber) incorporates pre-wire, pre-test mounting plate and back box terminals. The outdoor series EL3RMT/EL4XMT Multi-Tone Horn EL3RMTST/EL4XMTST Multi-tone Horn Strobe EL3RMTSTA/ EL4XMTSTA Multi-tone Horn Strobe (Amber) rated to NEMA type 3R, IP54 and NEMA type 4X, IP66 respectively, when used with the included mounting accessory. Two wire appliance wiring shall be capable of directly connecting to the mounting plate or back box. Removal of an appliance shall result in a supervision fault condition by the Fire Alarm Control Panel (FACP). All notification appliances shall be backwards compatible.

The outdoor series EL3RMT/EL4XMT Multi-Tone Horn EL3RMTST/EL4XMTST Multi-tone Horn Strobe EL3RMTSTA/ EL4XMTSTA Multi-tone Horn Strobe (Amber) appliances shall provide installers ease of installation provided by the self-supporting hanging hinge feature.

When synchronization is required, the appliance shall be compatible with Wheelock's DSM Sync Modules, PS Power Supplies, SAFEPATH products, Intelligent Notification Controller and other manufacturer's panels with built-in Wheelock Patented Sync Protocol. The strobes shall not drift out of synchronization at any time during operation. If the sync protocol fails to operate, the strobe shall revert to a non-synchronized flashrate and still maintain (1) flash per second over its Regulated Voltage Range. The appliance shall also be designed so that the audible signal may be silenced while maintaining strobe activation when used with Wheelock® patented sync protocol.

Note: Due to continuous development of our products, specifications and offerings are subject to change without notice in accordance with Cooper Wheelock Inc., dba "Eaton" Standard terms and conditions apply.

Eaton
 1000 Eaton Boulevard
 Cleveland, OH 44122
 United States
 Eaton.com

Life safety & mass notification solutions
 273 Branchport Ave.
 Long Branch, NJ 07740
 Eaton.com/Lifesafetynotification

© 2024 Eaton
 All Rights Reserved
 Printed in USA
 Publication No. TD450187EN
 July 2024
 Eaton is a registered trademark.

All other trademarks are property of their respective owners.