

**DELTA  
FIRE**



# SHOCKLESS FIRE NOZZLE

**FULLY MARINISED GUNMETAL/BRONZE**

## KEY USERS

- Marine
- Oil & Gas
- Defence
- Major Industrials
- Aviation
- Mining
- Nuclear
- Waste Recycling

## KEY FACTS

- Manufactured in the UK
- ISO9001 Quality Controlled
- Fully Marinised for use in Harsh, Saline Environments
- Safe, Low Force Opening/Closing Reaction
- Gunmetal/Bronze or Hard Anodised Options
- Stainless Steel Spinning Teeth
- 10 Year Manufacturer's Warranty



**Marine Shockless Nozzle**

Doc Ref: DDS019

**DELTA FIRE**

Broadland Business Park, Norwich, Norfolk, UK, NR7 0FE

T: +44(0)1603 735000 | E: sales@deltafire.co.uk | E: export@deltafire.co.uk

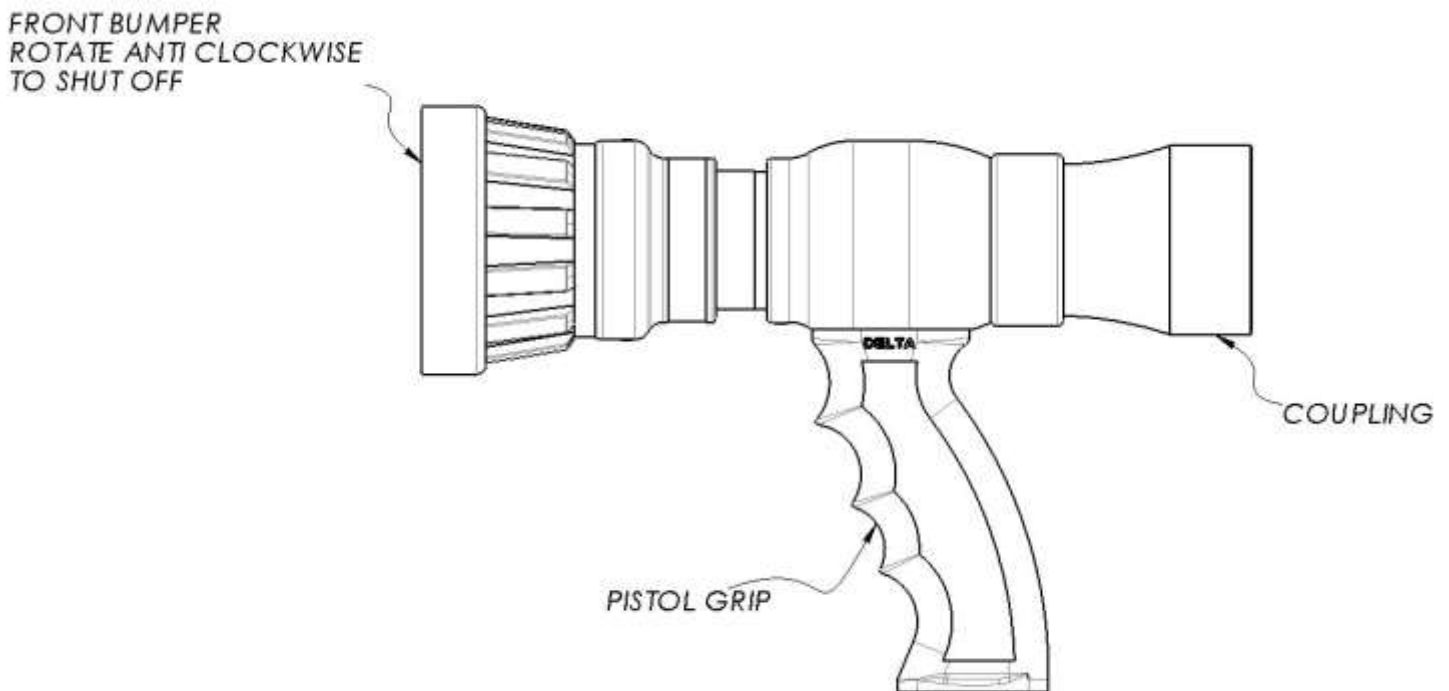
deltafire.co.uk

## GENERAL DESCRIPTION

The Delta Shockless Nozzle is ideally suited to off-shore applications and designed for use in harsh, saline environments. Constructed from high quality gunmetal/bronze with stainless steel fittings and spinning teeth the Shockless is highly resistant to salt water corrosion and can withstand all manner of extreme weather conditions. A firm favourite with off-shore operators for use on Platforms, Supply Vessels and FPSO's the Shockless is designed to provide effortless operation with near zero reaction when 'opening and closing' making it safer for use especially when using hydrant valves with higher than normal water pressures. Suited for continuous use with salt water the Shockless is perfect for all marine applications.

Computer-aided design and enhanced flow engineering combined with high quality materials and rigorous quality control makes the Shockless one of the most advanced nozzles available today providing exceptional long term value for money with minimal maintenance requirements throughout the life of the nozzle.

The Shockless is supplied as standard with a 1 ½" BSP Female inlet and can be fitted with a choice of International inlet adaptors for compatibility to existing hoses and equipment.



The Shockless Nozzle produces long range, powerful water jets and the spinning turbine teeth provide dense fog patterns in spray mode enhancing ship-board firefighting capabilities whilst providing operator protection and improved safety. Designed and manufactured in the UK by Delta, the Shockless is subjected to rigorous quality controls and guaranteed against manufacturing defect for 10 years. With standard flow rates of 450 litres per minute at 7 bar the Shockless is incredibly versatile and suited to a wide range of firefighting scenarios, both on & off shore.

The ergonomically designed pistol grip and control handle are suited for use with firefighting gloves conforming to both the BSEN 659:2003+A1:2008 and BSEN 388:2003 Standards.



### DELTA FIRE

Broadland Business Park, Norwich, Norfolk, UK, NR7 0FE

T: +44(0)1603 735000 | E: sales@deltafire.co.uk | E: export@deltafire.co.uk

deltafire.co.uk

## DESIGN FEATURES

The Delta Shockless Nozzle boasts special features designed to maximise performance and ensure the highest possible level of safety for the operator. More than 25 years of ongoing research and development has culminated in a state-of-the-art multi-purpose nozzle highly regarded by industry professionals globally.



### Spinning Teeth

Computer designed stainless steel spinning turbine teeth chop the water up into finely divided, small diameter water droplets producing extremely dense fog patterns enhancing firefighting capabilities and significantly improving firefighter safety. Impervious to damage, even when dropped onto a hard surface, the stainless steel teeth provide considerable advantages over the more commonly used plastic teeth.



### Effortless Control

Simple rotation of the front bumper allows the operator to move smoothly between jet and spray functions with ease. Precision design and flow engineering ensures minimal 'jet reaction' enhancing operator safety. The Shockless provides exceptional performance in both jet and spray modes maximizing firefighting capability for fast, efficient fire suppression.



### Ergonomic Design

The Shockless is very compact and designed to be easy to manoeuvre in tight spaces. Thanks to the front bumper operation the Shockless does not have a traditional 'on/off' control handle reducing the overall size resulting in a sleek, low profile nozzle perfectly suited to shipboard firefighting. Measuring only 265mm in length the Shockless is easy to handle and designed for compatibility with all styles of firefighting gloves.



### International Compatibility

The Shockless is supplied as standard with either BSP (British) or NH (American) threaded inlets allowing for complete versatility to fit all types of International inlet adaptors to suit the specific country of use.

The Delta Marine Shockless Nozzle is the culmination of state-of-the-art design and computer aided 3D flow engineering.



**DELTA FIRE**

Broadland Business Park, Norwich, Norfolk, UK, NR7 0FE

T: +44(0)1603 735000 | E: sales@deltafire.co.uk | E: export@deltafire.co.uk

deltafire.co.uk

## THE RANGE

Whilst mostly supplied in Gunmetal/Bronze, the Marine Shockless is also available in Hard-Anodised Aluminium (Alpha Shockless) or Nickel Plated options on request.

Supplied as standard with a choice of either BSP (British) or NH (American) threaded inlets the Marine Shockless is compatible for use with a wide range of International adaptors.



Product Code	NDG681006
Model	7 Bar NFPA Model Low Pressure
Main Body / Barrel	Gunmetal/Bronze
Front Bumper	Shockproof Polyurethane
Weight	3.2 KG
Inlet Type	1 ½" BSP Female
Flow Range litres/min @7 bar	Constant Flow 450
Flow Range USG/min @ 7 bar	Constant Flow 120
Maximum Use Pressure	40 Bar Factory Tested to 50 Bar
Maximum Advised Working Pressure	Maximum 12 Bar
Recommended Inlet Pressure	3 – 8 Bar
Minimum Operational Pressure	3 Bar*

*Optional NH (American) Threaded inlet*

*\*Recommended Only – Nozzle will function down to 1 Bar*



**DELTA FIRE**

Broadland Business Park, Norwich, Norfolk, UK, NR7 0FE

T: +44(0)1603 735000 | E: sales@deltafire.co.uk | E: export@deltafire.co.uk

deltafire.co.uk