

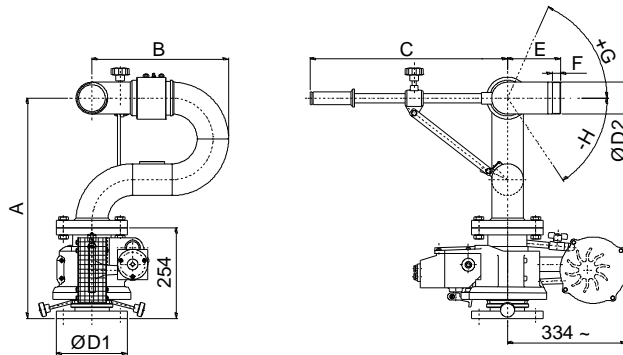
Construction features

Body material: stainless steel AISI 316
 Joints material: stainless steel AISI 316, phosphor bronze balls mounted with greasers
 UNI/DIN or ANSI flange material: carbon steel
 Design pressure: 16 bar
 Minimum working pressure: 2,5 bar
 Maximum working pressure (advised): 12 bar
 Rotation angle: adjustable from 15° to 360°
 Rotation speed at 7 bar: 4°/sec
 Horizontal movement is produced by a water driven turbine that causes the oscillation of the apparatus
 Finish: red epoxy paint (RAL 3000)

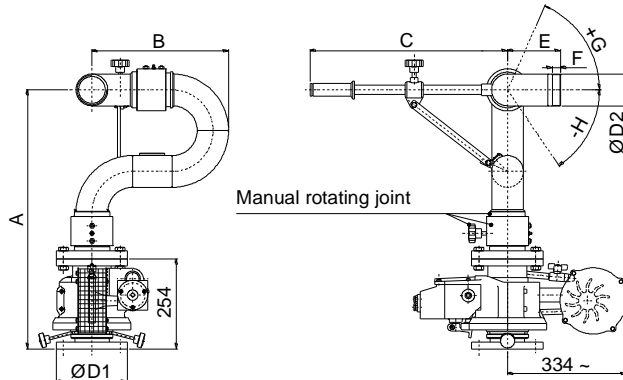
Optional

Inlet flange material: stainless steel AISI 316
 Different inlet flange sizes
 Elevation angle: +85°
 Hydraulic and/or functional test witnessed

Model FOL 2,5 Model FOL 3



Model FOL S2,5 Model FOL S3



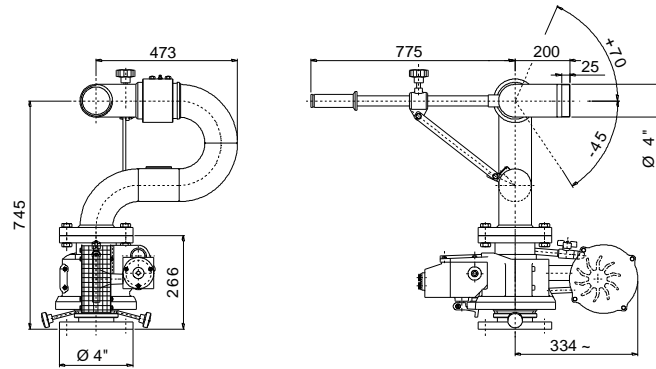
Dimensions in mm

Technical data

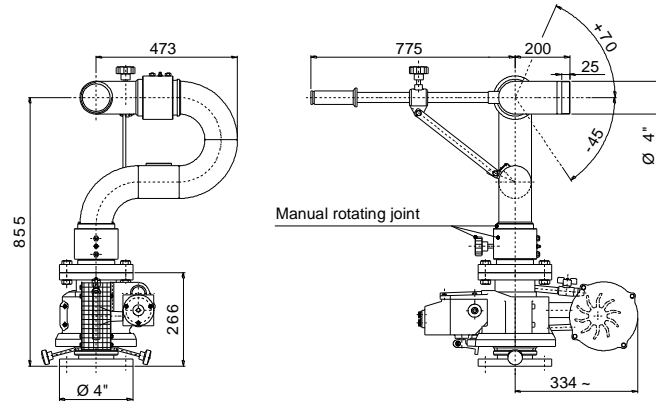
Model	A	B	C	Ø D1	Ø D2 BSP	E	F	G	H
FOL 2,5	560 mm	330 mm	360 mm	3"	3"	145 mm	21 mm	85°	45°
FOL 3	654 mm	330 mm	360 mm	3"	3"	145 mm	21 mm	85°	45°
FOL S2,5	620 mm	385 mm	640 mm	4"	4"	150 mm	23 mm	70°	45°
FOL S3	730 mm	385 mm	640 mm	4"	4"	150 mm	23 mm	70°	45°

Model	Ø Body size	Max Flow rate	Water consumption at 7 bar	Weight
FOL 2,5	2 ½"	2000 l/min	25 l/min	34 kg
FOL 3	2 ½"	2000 l/min	25 l/min	35 kg
FOL S2,5	3"	4000 l/min	25 l/min	37 kg
FOL S3	3"	4000 l/min	25 l/min	39 kg

Model FOL 4



Model FOL S4



Dimensions in mm

Technical data

Model	Ø Body size	Max Flow rate	Water consumption	Weight
FOL 4	4"	7000 l/min	25 l/minr	48 kg
FOL S4	4"	7000 l/min	25 l/minr	50 kg