

Features

Gentle foam application
DIN or ANSI flange up to 10" size
Suitable for use with Tyr foam chamber

Description

The Aske foam pourer is a discharge device outlet designed to apply expanded foam gently onto the surface of flammable or combustible liquid. Aske is available from 3" up to 10" inlet flange (DIN or ANSI).

Application

The Aske foam pourer is suitable for use in a fixed tank protection system or banded area such as:

- Petrochemical plants
- Tank farms

Aske is recommended for use with following foam types:

- Protein, FP or FFFP 3% or 6%
- AFFF 1%, 3% or 6%
- AFFF ARC or FFFP ARC 3x3 or 3x6
- Multipurpose foam

Operation

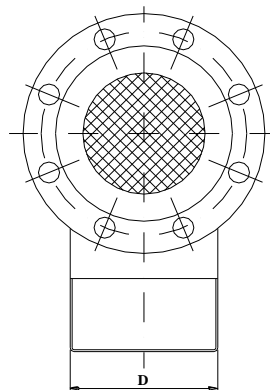
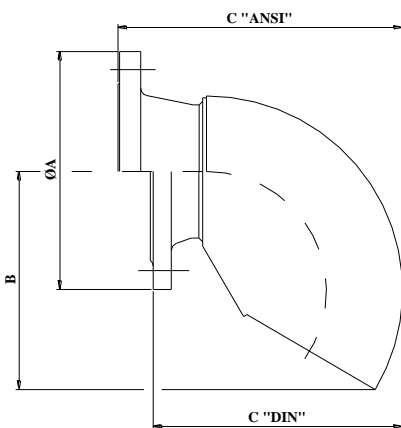
The Aske foam pourer can be connected to any proportioning system and expanded through any discharge device such as foam chamber or foam maker. Foam solution is discharged through the foam pourer mounted inside the storage tank or banded area. The foam pourer gently applies the foam, reducing the fuel contamination of the foam.

Construction features

- Body material: carbon steel
- Flanges material: carbon steel
- Finish: red epoxy paint (RAL 3000)

Optional

- Body material: stainless steel (AISI 304 / AISI 316)
- Strainer material: stainless steel AISI 316
- Hot dip galvanized
- Flanges material: stainless steel (AISI 304 / AISI 316)



Technical data

Model	Ø A	B mm	C ANSI version	C DIN version mm	D mm	Weight ANSI version kg	Weight DIN version kg
Aske-2	3"	231	280	260	155	18	16.5 kg
Aske-4	4"	231	286	262	155	18	16.5
Aske-8	6"	318	384	350	240	28	26.5
Aske-15	8"	318	397	357	240	37	36
Aske-20	8"/10	426	508	475	350	37 – 54	36 – 53