



# CMP200 CiTipeL<sup>®</sup>

## Performance Characteristics

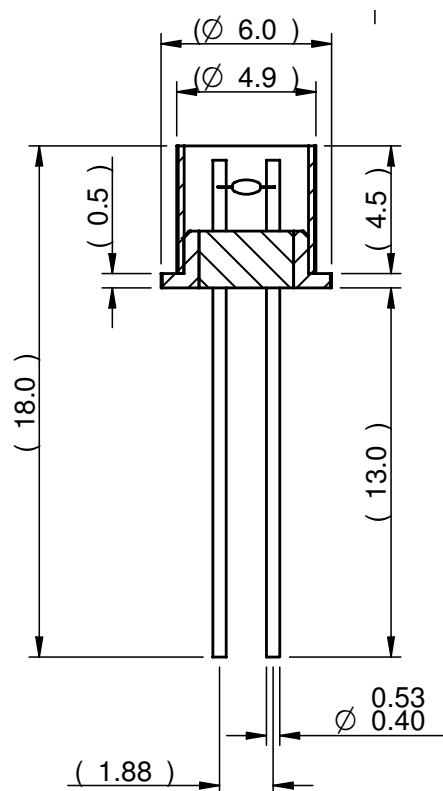
<b>Gases Detected</b>	Methane
<b>Range</b>	0-100% LEL
<b>Operating Voltage</b>	3.3±0.1V d.c.
<b>Detector Operating Current</b>	≈68mA
<b>Poison Resistance</b>	Resistant to H <sub>2</sub> S and silicones
<b>Output Sensitivity</b>	27 to 34mV/%methane
<b>T<sub>90</sub> Response Time</b>	<15 seconds (methane)
<b>Linear to</b>	0-3% methane
<b>Long Term Sensitivity Drift</b>	<5% signal/month
<b>Long Term Zero Drift</b>	<5%LEL <sub>methane</sub> /month
<b>Warranty Period</b>	12 months from date of despatch

N.B. Flow rate of 300 mls min<sup>-1</sup>. Conditions at 20°C, 50%RH, and 1013mBar unless otherwise noted.

## Ordering Information

CMP200 with 13mm pin connection ..... CMP200-D

## Outline Dimensions



All tolerances ±0.15mm unless otherwise stated

It is recommended that confirmation of adequate sensor performance be conducted on a regular basis by means of a defined, sensor calibration procedure. The calibration frequency will depend upon the environment in which the sensor is operated and on the perceived level of risk from the build up of flammable atmospheres.

Every effort has been made to ensure the accuracy of this document at the time of printing. In accordance with the company's policy of continued product improvement City Technology Limited reserves the right to make product changes without notice. No liability is accepted for any consequential losses, injury or damage resulting from the use of this document or from any omissions or errors herein. The data is given for guidance only. It does not constitute a specification or an offer for sale. The products are always subject to a programme of improvement and testing which may result in some changes in the characteristics quoted. As the products may be used by the client in circumstances beyond the knowledge and control of City Technology Limited, we cannot give any warranty as to the relevance of these particulars to an application. It is the clients' responsibility to carry out the necessary tests to determine the usefulness of the products and to ensure their safety of operation in a particular application.

Performance characteristics on this data sheet outline the performance of newly supplied sensors. Output signal can drift below the lower limit over time.