



Mobile Foam Cart

The Chemguard Mobile Foam Cart is designed to hold 36 gallons of fire fighting foam concentrate and contains a 95-gpm in-line eductor, a 95-gpm handline nozzle and 50 feet of 1½" rubber lined single jacket fire hose. The ease of handling and mobility of the foam cart makes this a very effective fire-fighting unit for flammable liquid fires. To place the unit in operation, connect a length of 1½" fire hose from a suitable water supply source to the in-line eductor inlet. **Note:** The in-line eductor design point is 95 gpm at 200 psi. Any reduction in pressure at the in-line eductor inlet will create a corresponding decrease in flow. The tank is manufactured of reinforced fiberglass, which makes the unit suitable for use with all types of foam concentrates and environments.

FEATURES

- Nozzle features a ball shut-off for better stream control and is designed to give a constant flow whether on straight stream or fog patterns.
- 3"x16" pneumatic tires
- Fire hose has lightweight 1½" NST couplings
- Pick up tube on in-line eductor is manufactured of stainless steel.

OPTIONS

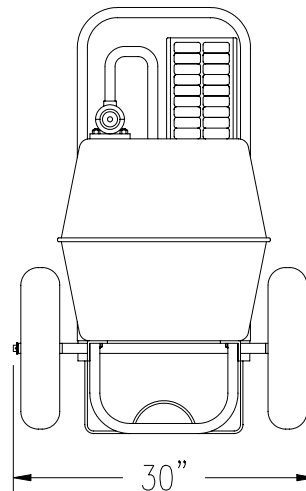
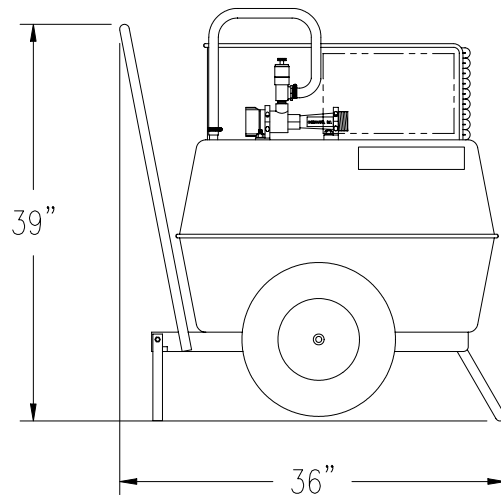
- Additional 50-foot length of fire hose for connecting to water supply.
- Other nozzle selections
- 60 GPM flow rate
- Red vinyl cover with "FOAM UNIT" in 4" high white letters

CAUTION

If using any of the AR-AFFF type foam concentrates in the unit, it is recommended that a thin layer of mineral oil be placed on the surface of the foam concentrate to minimize evaporation.

ORDERING INFORMATION

Part Number	Description
CMFC-1	36 Gallon Mobile Foam Cart with (1) 1-1/2" x 50' fire hose, 95 gpm eductor and 95 gpm handline nozzle
CMFC-2	36 Gallon Mobile Foam Cart w/95 gpm eductor only
CMFCC	Red Vinyl Cover
Z15-001-013	Additional 1-1/2"x 50' fire hose



CHEMGuard
204 S. 6th Ave • Mansfield, Tx 76063 • (817) 473-9964 • FAX (817) 473-0606

www.chemguard.com