



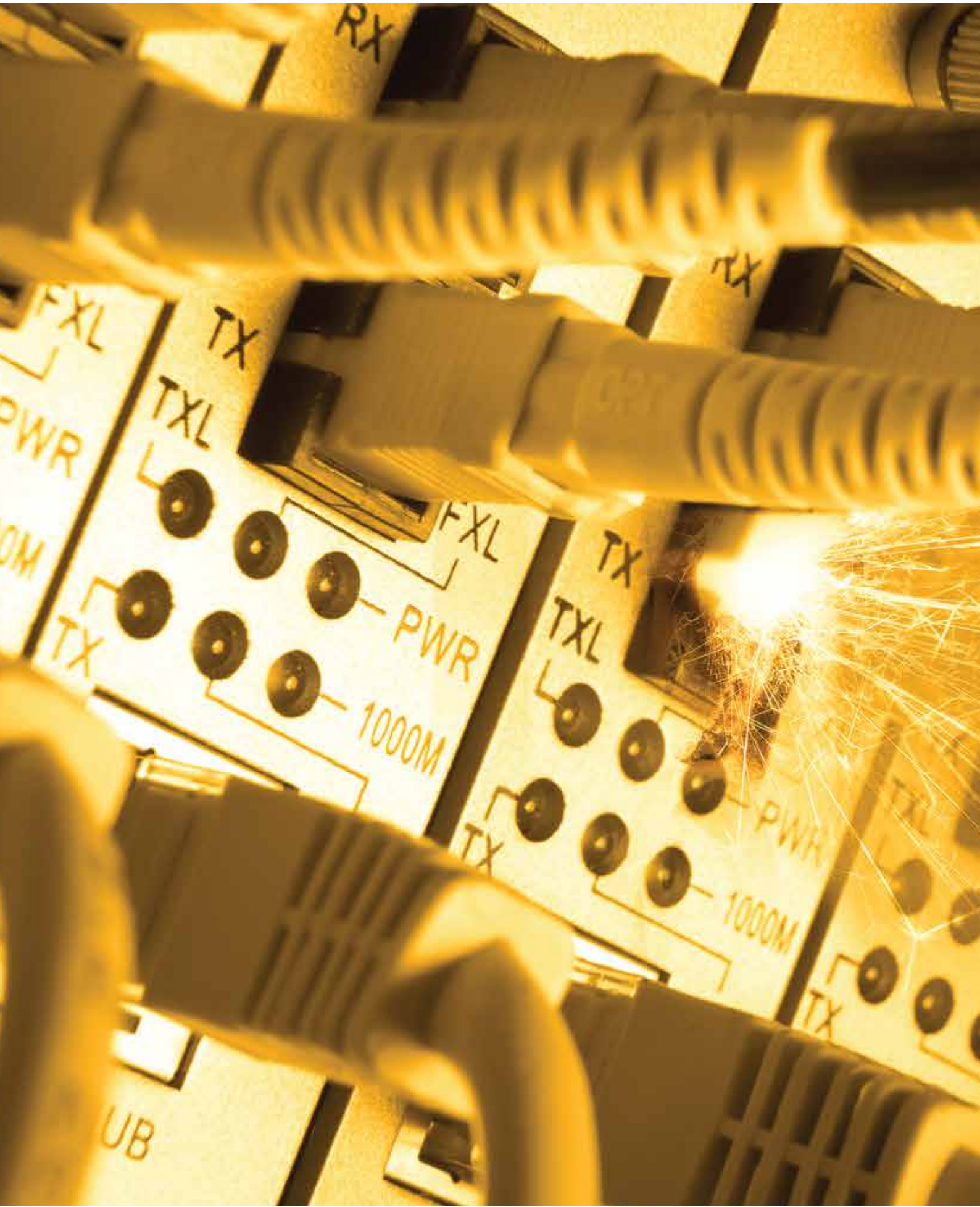
**GREENEST, MOST**

**NATURAL & SUSTAINABLE**

**FIRE SUPPRESSION**



**CEASEFIRE INERT GAS  
SUPPRESSION SYSTEMS**





# ALL NATURAL; ALL POWERFULL

Inert Gases are naturally occurring gases. We are surrounded by inert gases. The air we breathe is filled with them. These are not man made or fossil gases.

With the push toward “Green”, inert gases are a good choice as they are the most green of all of the Clean Agents.

Inert gases used in the Ceasefire Suppression Systems are either in 100%

concentration or as an inert gas blends. Inert gasses work by reducing the concentration of oxygen in the hazard area to a point where it will not support a fire, but still high enough to support life.

# A SAFE AND ENVIRONMENT FRIENDLY APPROACH OF FIRE SUPPRESSION

A natural way to extinguish a fire, inert gas suppression systems, also known as clean agent gaseouts systems suppress a fire by reducing the oxygen concentration to below 16%, where most combustible materials will not burn.

Life is sustainable at these levels and healthy people would not notice any adverse effects. Suitable for occupied areas, these systems

are an ideal solution for Data Centres, Server Rooms and IT Communications as they are non-conductive.

Inert gases being totally non-reactive do not form any toxic fumes or by products after coming in contact with fire, which the chemical gases on the other hand are on some occasions prone to.



# INTRODUCING CEASEFIRE INERT GAS SUPPRESSION SYSTEMS: THE MOST ENVIRONMENT-FRIENDLY FIRE SUPPRESSION

Ceasefire inert gas suppression system uses inert or natural gases to extinguish fires. Often used as a blend of gases, these gaseous mixtures leave no residue behind and are designed to protect enclosures where there is

a need for quick reaction to extinguishing a fire. A fire detection module is an integral part of these systems to trigger the gas suppression system.

## THE BASIC PREMISE

The idea behind Ceasefire Inert Gas Fire System is to reduce the amount of oxygen present in the area where the fire breaks out. This is important because fires need oxygen in order to spread. Remove this vital element and the fire will be easier to contain.

While the oxygen level is lowered, the system does not eliminate oxygen from the space altogether. There is still enough Oxygen present to support proper breathing, as anyone in the immediate area moves along the escape route and exits the room.



# WHAT GASES ARE USED?

Ceasefire Inert Gas Suppression Systems use the following gases that reduce the concentration of Oxygen in the fire zone to kill fires. These included:

- | CF100: Nitrogen (100%)
- | CF541: A blend of Nitrogen(52%) + Argon(40%) + CO<sub>2</sub>(8%)
- | CF01: Argon (100%)
- | CF55: A mix of Argon(50%) + Nitrogen(50%)

These inert gases are naturally occurring gases. We are surrounded by these gases. These gases reduce concentration of oxygen in the given space and extinguishes fire.

# HOW IS THE GAS DEPLOYED?

The Ceasefire Gaseous Fire Suppression systems can be configured for unique gas discharge options. Typically class "E" electrical fires require a minimum concentration while class "B" flammable

liquid fires require a higher concentration or lowering of oxygen levels to put the fire out. Settling on the right approach depends on the type of environment in which the system will be used.





## HOW DOES THE INERT GAS BASED SYSTEM WORK?

The air we breathe has approximately 21% of Oxygen. Oxygen is the key factor in sustaining a fire and the key factor in keep us alive too!

By removing the oxygen, we will certainly extinguish a fire, but that comes with obvious problems. How do we sustain life at the same time?

Fires need more than 16% Oxygen to combust. Anything below this level of oxygen will not be enough for a fire to sustain combustion.

To extinguish a fire and sustain life, we need to reduce oxygen from 21% (assuming were at sea level) to below 16%, but not less than 12%. This extinguishes fire and sustains life at the same time.

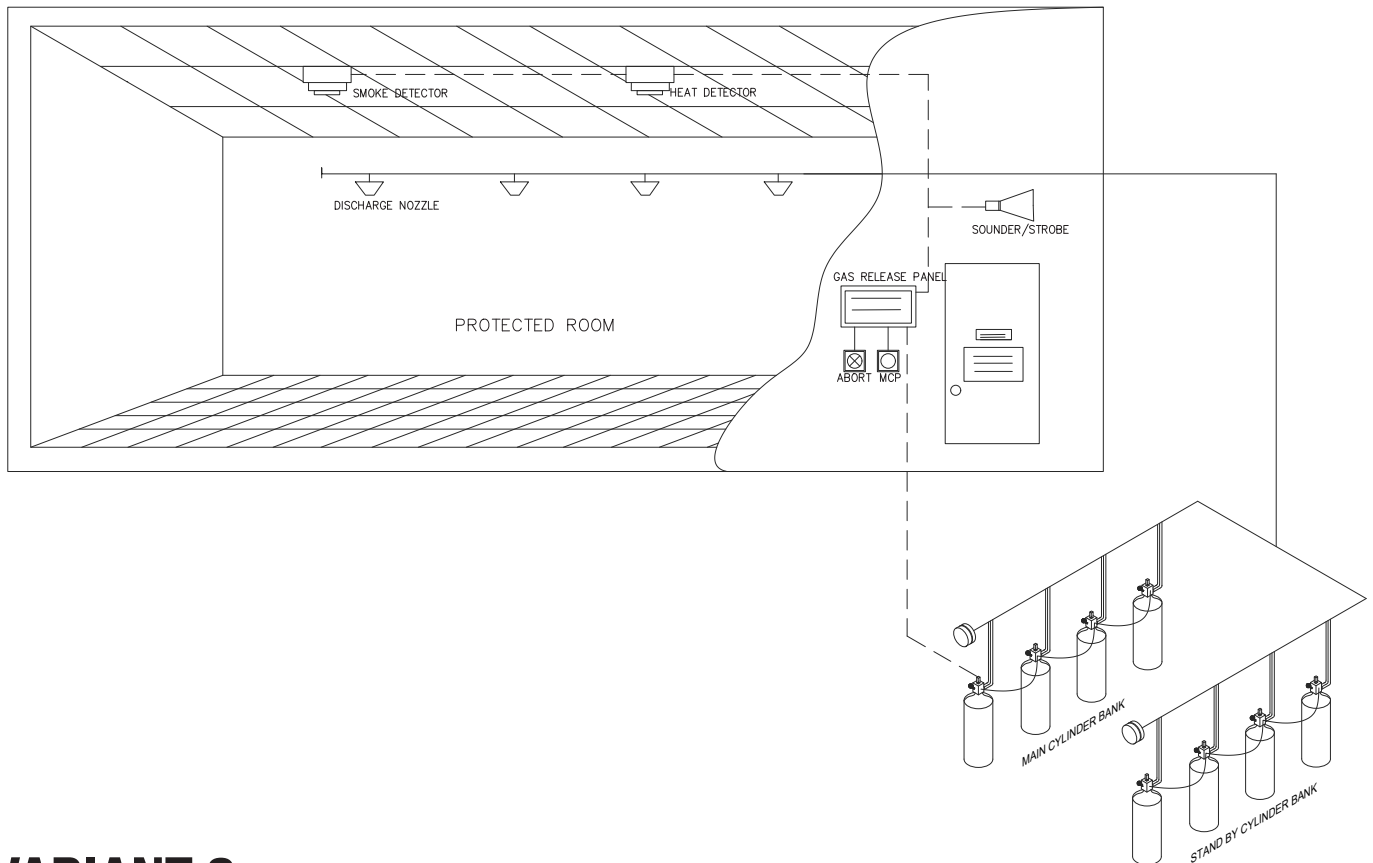


# THE SYSTEM COMES IN TWO VARIANTS:

## VARIANT 1:

The system comprises of a pilot cylinder that is connected to a series of agent cylinders. On sensing fire, the control panel activates the pilot cylinder. The gas from the pilot cylinder is released into the fire zone.

Simultaneously, some gas is sent to line connecting the other agent cylinders activating them at once. This mechanism activates all the agent cylinders simultaneously leading to total flooding.

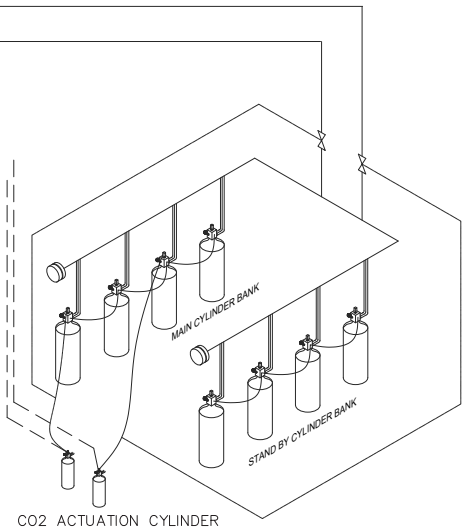
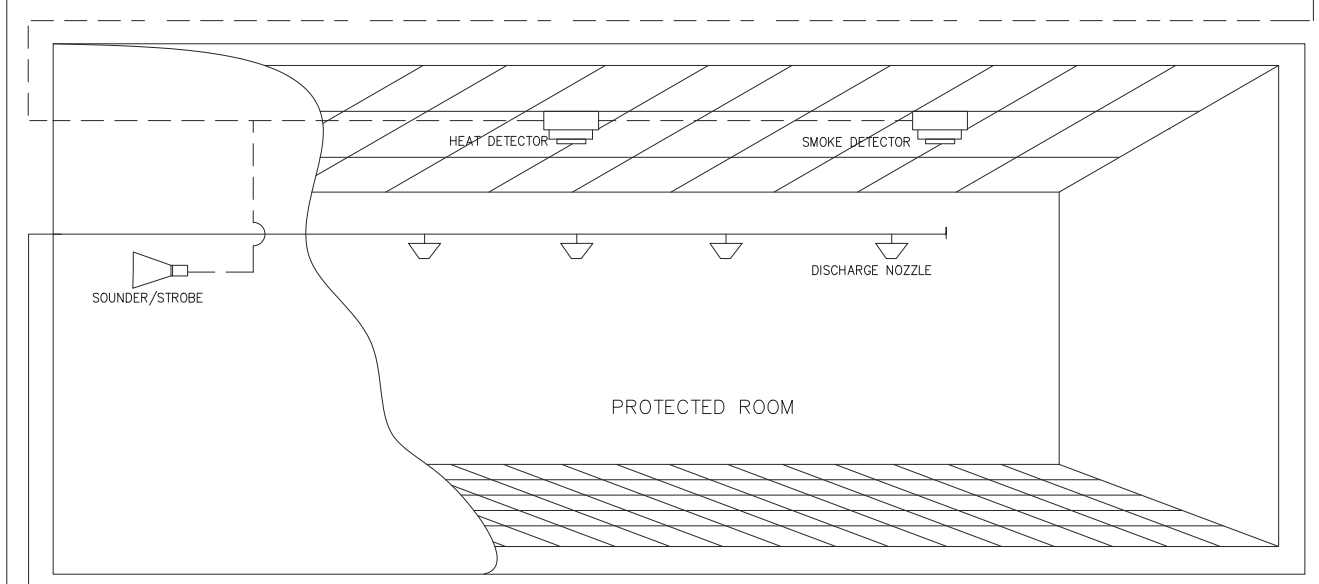
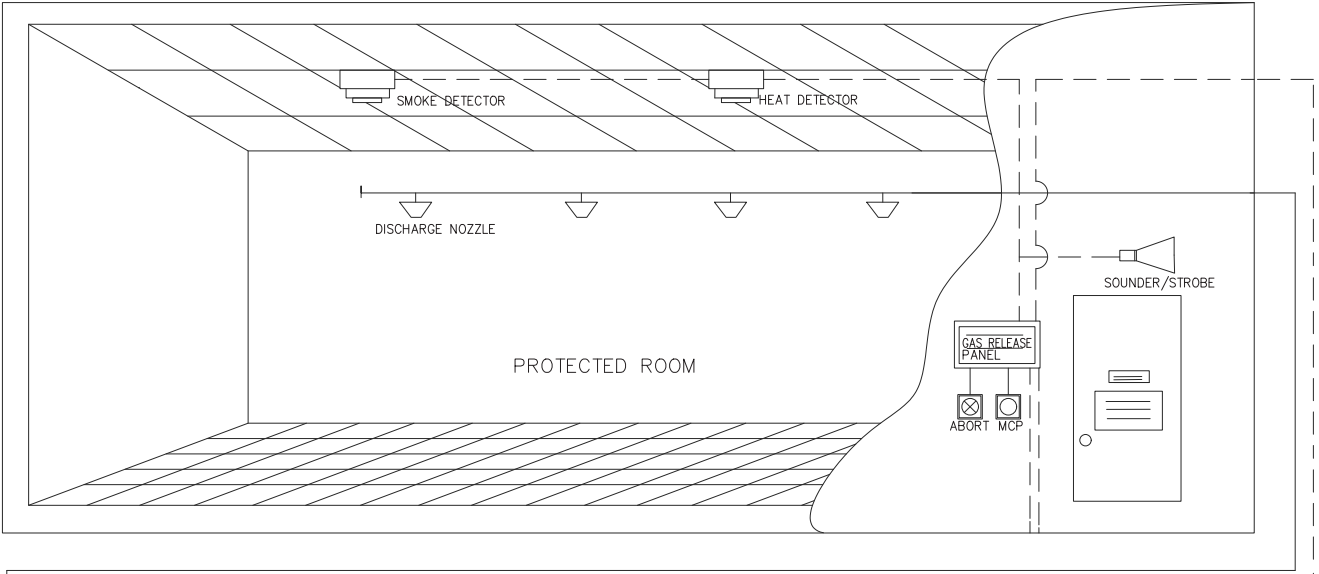


## VARIANT 2:

In this variant the pilot cylinder is filled with pressurized CO<sub>2</sub> and is used to activate the system. On sensing fire, the control panel activates the pilot cylinder. The gas from this cylinder reaches the agent cylinders activating them.

The agent containers release the extinguishing gas into the fire zone achieving total flooding. The Ceasefire Inert gas system can have multiple pilot cylinders and corresponding agent cylinders that can be used to protect distinct zone in the premises.





CO2 ACTUATION CYLINDER

# DETECTION MODULE OF THE SYSTEM

The Ceasefire Inert Gas Suppression system comes with an advanced fire detection module that triggers the system. The detection module that comprises of a wide range of detection devices including Smoke Detectors, Heat Detectors, Flame Detectors, Aspirating detection devices and Linear

Detectors, can be customised according to the premises the system is installed at.

The detection devices communicate with a central control panel in the event of a fire, which in turn activates the system.



Smoke Detector



Siren Strobe



Heat Detector



Aspirating Detector



Control Panel

# SYSTEM FEATURES



**Absolutely safe on Environment:** The system uses inert / non-reactive gases as the extinguishing agent and hence is completely environment friendly.



**Electronics friendly:** Inert gases leave no residue behind and is completely safe on electronics.



**Zero Toxicity:** Inert gases do not react with fire to emit toxic fumes or by-products of any kind.



**Uniform Discharge Flow:** The system's constant pressure regulation feature ensures discharge of the agent gases at uniform pressure throughout the operation, adding to the system's effectiveness.



**Real Time Design Support:** Ceasefire in-house Design Cell offers end-to-end design support to customise the system for any kind of a premises.



**Scalable:** The system is scalable to a 240 cylinder installation for extremely high volume protection.



**Zone wise Mechanical Actuation:** In case of safeguarding a multi-zone premises, the system has the feature to actuate each zone mechanically. Hence ensuring localised protection.



**Minimum Piping:** Special cylinder valves minimise the need for piping and additional devices in the actuation line.



**VDS Approved:** The Ceasefire Inert Gas Suppression System is VDS approved.



# Key Components of the systems

**1. Extinguishing agents:** Ceasefire Gaseous Suppression Systems use both Clean agents and Inert Gases. These included: Clean agents like HFC227ea and Inert gases including a blend of Nitrogen + Helium + CO2 (CF541), Argonite (CF01) and a mix of Aronite + Nitrogen (CF55).

Chemical and Physical properties

Property	Unit	Argon	Nitrogen	Argon + Nitrogen	Argon+ Nitrogen +Co2
		CF 01	CF 100	CF 55	CF 541
Molecular mass	-	39.9	28.02	33.98	34
Boiling Point at 1.013 bar (absolute)	Deg C	-185.9	-195.8	—	-196
Freezing point	°C	-189,4	210,0	—	-78.5
Critical temperature	°C	-122,3	—	—	
Critical pressure	bar abs	49,0	—	—	
Critical volume	cm3/mol	—	—	—	
Critical density	kg/m3	536	—	—	
Vapour pressure 20 °C	bar abs	—	—	—	152
Liquid density 20 °C	Kg/m3	—	—	—	
Saturated vapour density 20 °C	m3/kg	—	—	—	
Specific volume of superheated vapour at 1,013 bar and 20 °C		0,602	0,858	0,708	0.697
Chemical formula		Ar	N2	50% Ar	40% Ar
				50% N2	52% N2
					8% CO2
Chemical name		Argon	Nitrogen	Argon Nitrogen	Argon Nitrogen, CO2

## 2. Mild steel, TPED Approved, Seamless Cylinders (80L + 140 L):

Cylinders are made by hot spinning process, Seamless, Carbon steel material, confirming to IS:7285 (Part-2): 2004. Each cylinder is equipped with an identification nameplate indicating the quantity of inert gas. The standard cylinder assembly is designed for mounting in a vertical position only. The cylinder assembly is composed of a cylinder and cylinder valve.



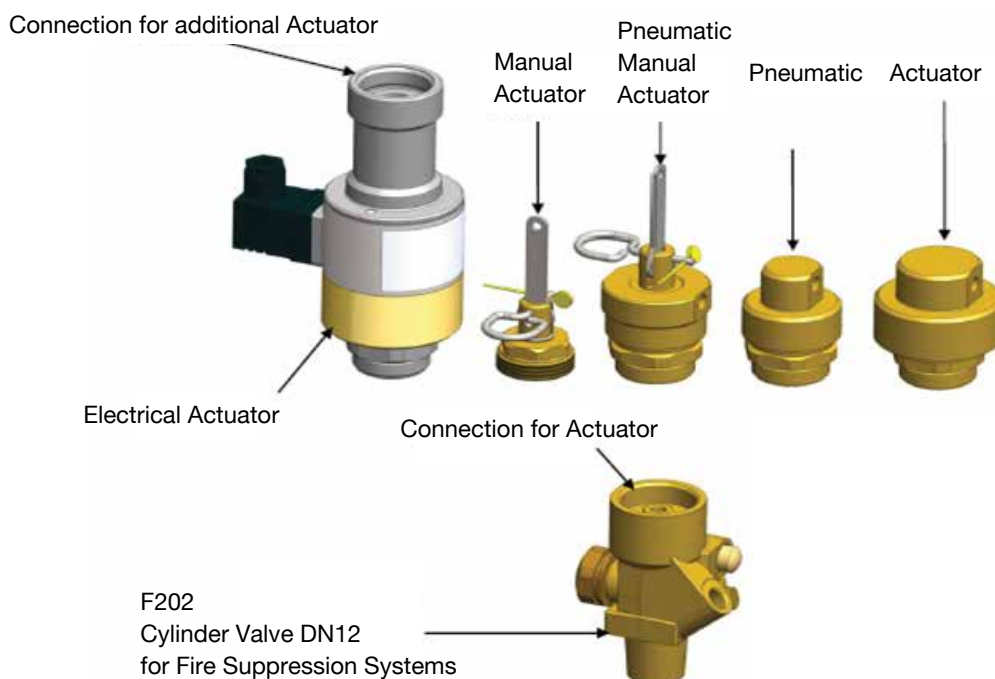
### 3. Cylinder valve:

- | Working pressure up to 300bar at 15°C (max. operating pressure: 360bar) valve seat Ø 12mm
- | Manual, pneumatic, pneumatic-manual and electrical activation
- | Easy to fill
- | Extinguishing agents: inert gases
- | Compact design - fits under protection cap (EN ISO11117)
- | VdS approved (DIN EN 12094-4 and VdS 2344)
- | TPED approved (Directive 2010/35)
- | CPR (Regulation 305/2011/EU)
- | LPCB approved (DIN EN 12094-4)



### 4. Actuators options:

The Ceasefire Inert Gas systems come with a range of actuators including Manual, Pneumatic and Electrical actuators.



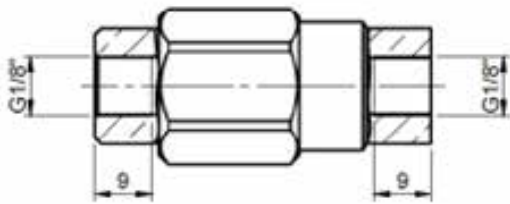
## 5. Pilot hose, 4mm wide, working pressure 360 bar:

The flexible pilot/actuation hose is used in multiple cylinder systems. Pilot pressure is directed to a pressure operated control head on each cylinder valve using pilot/actuation hose. The tees and adaptors are used for interconnection of actuation hoses and Pneumatic operated control heads in multiple cylinder system installations. The adaptor provides a means of connecting a flexible actuation hose to the master and slave cylinder/valve assemblies.



## 6. Non-Return Valve for pilot line:

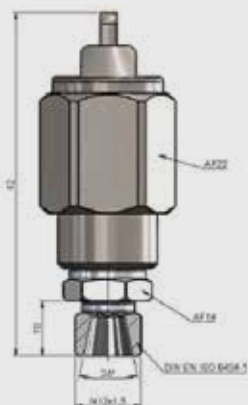
This valve plays a crucial role in the system and ensures that the gas always travels from the main cylinders to the pilot cylinders and under no circumstances flows back from the pilot cylinders to the main cylinders.



## 7. Bleed Valve:

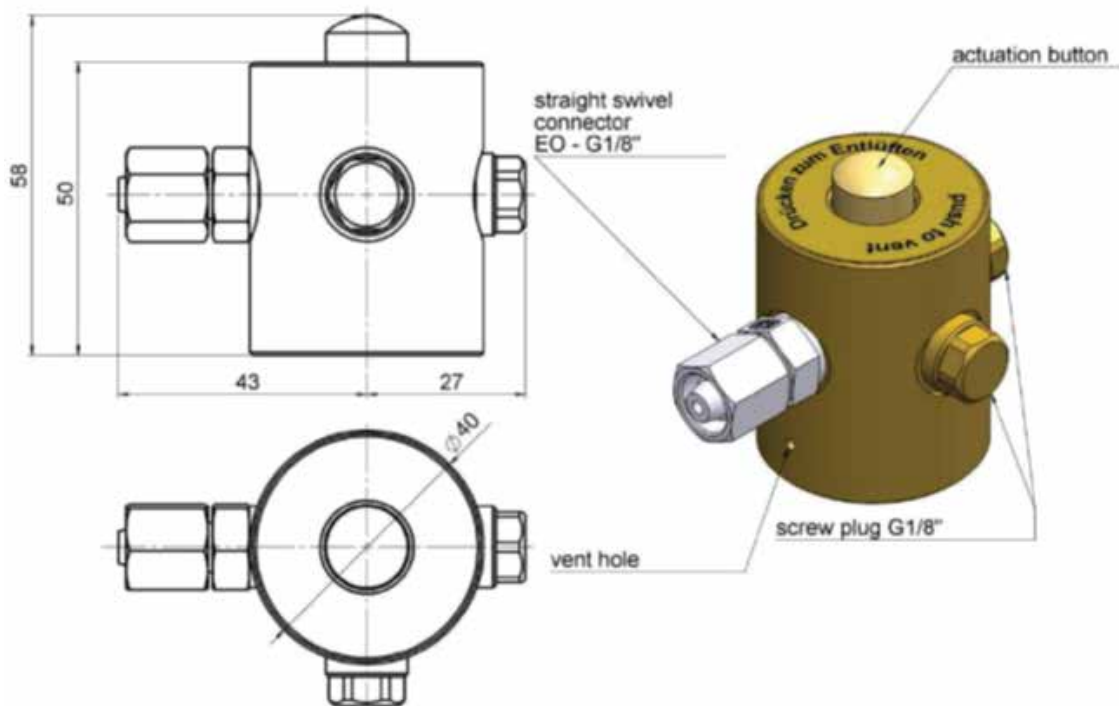
The Bleed Valve avoids an incorrect pressurization owing to possible leakage from the cylinder Valve. An accidental pressure rise in the pilot line will be avoided.

- | Working pressure up to 360bar
- | Connection: G1/8"
- | For use in: Inert gases, CO<sub>2</sub>, halocarbon gases
- | Closing Pressure: 0.4bar, Opening Pressure: 0.5bar



## 8. Vent Valve for pilot line:

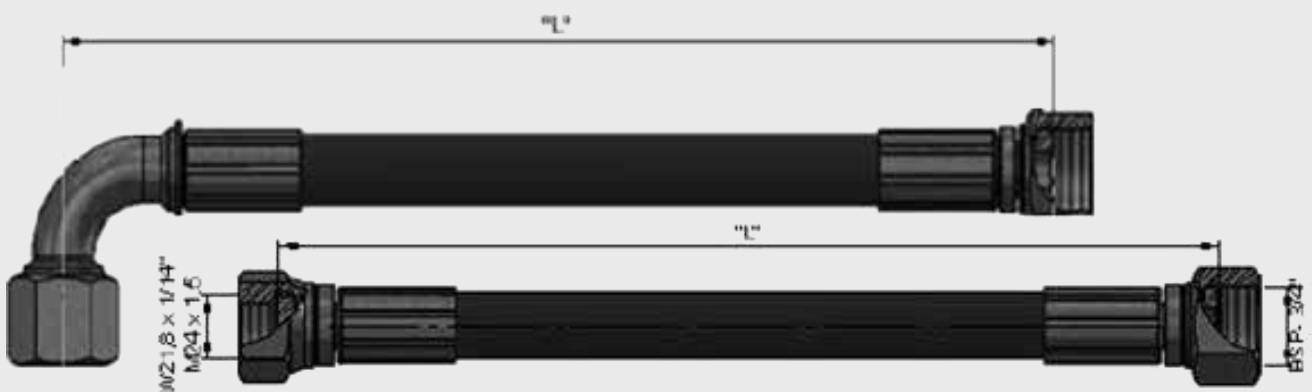
To evacuate the pressure from the pilot line after function test



## 9. Discharge Hose, Nominal Wide-12mm, Working Pressure 360 Bar:

Agent is routed from the cylinders to the discharge piping by a flexible discharge hose. The hose is connected to the discharge outlet of the cylinder valve and terminates at the system piping or check valve of the discharge manifold. The Hose is available for:-

- | All sizes
- | Maximum working pressure-360bar
- | Optional: 90° elbow
- | Inert gas



## 10. Check Valves for discharge line:

Steel Check Valves are installed at the inlet of discharge manifold in a multiple cylinder arrangement to allow removal of any agent cylinder from the manifold while still retaining a closed system.



## 11. Pressure monitoring device/Gauge:

The pressure gauge is intended to detect a fall in pressure in the agent cylinder.



## 12. Pressure gauge with switch contact:

The pressure gauge/switch is intended to detect a fall in pressure in the agent cylinder. The switch can be wired for either normally-open or normally-closed operation, depending on installation requirements. If the pressure inside the cylinder falls below 21 bar (305psig), the switch contacts will transfer and invoke a “fault” signal at the control panel.

- | Pressure gauge for indication and monitoring the cylinder pressure and for signaling leaks
- | Pressure measuring device for use in gas extinguishing systems per EN 12094-10 (VdS/CE)
- | General industrial applications
- | High switching reliability and long service life
- | Design per EN 837-1 and EN 12094-10
- | Pressure indication over 270 angular degrees
- | Switch contacts fixed according to customer specification
- | Ingress protection IP 65





### 13. Discharge Nozzles:

Brass Discharge nozzles are used to disperse inert gas agent uniformly throughout the hazard area. Patterns are designed to direct discharge the agent away from the ceiling, thus minimizing the possibility of disturbance to ceiling tiles and light fittings. Nozzles are available to discharge in either 180° or 360° patterns, depending on location. The nozzles are brass; with BSP female pipe threads (NPT nozzles are available on request).

#### The different sizes for Nozzles are:-

G3/8", G1/2", G3/4", G1", G1 ¼", G1 ½", G2", Covering 360° or 180° with MOC- Nickel-plated brass

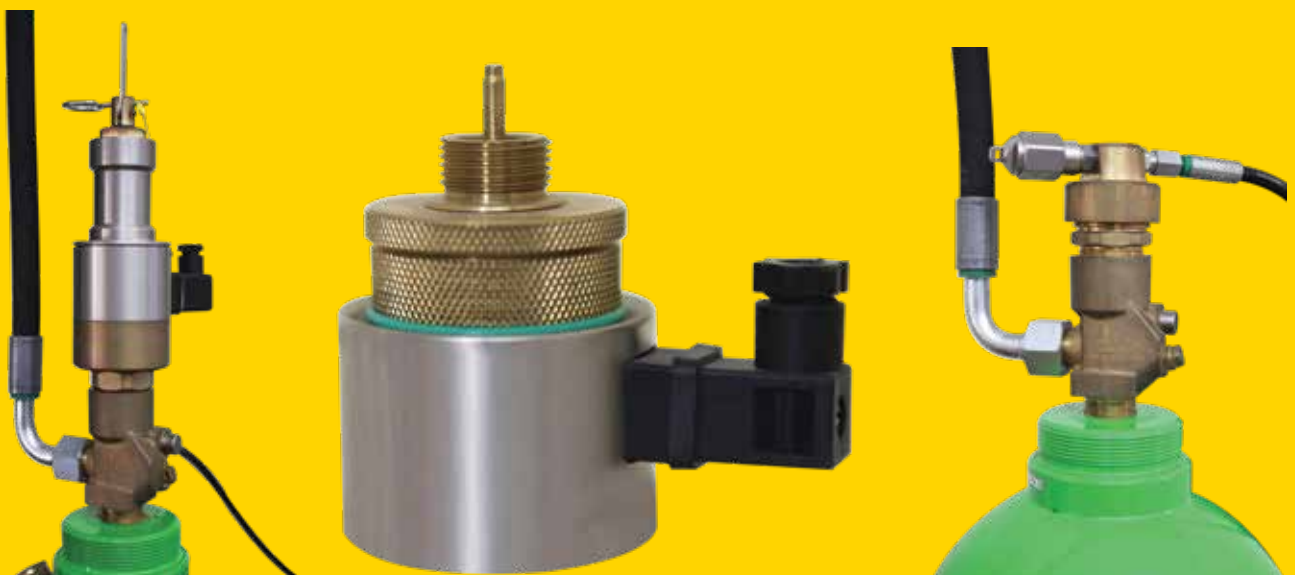


### 14. Piping manifolds:

When multiple cylinders are needed, they may be connected to the same set of distribution piping through a manifold.

#### This is necessary in two circumstances:

- | A connected reserve supply of inert gas agent is required.
- | The quantity of agent required is greater than the maximum fill of a single cylinder.



# APPLICATION AREAS OF THE SYSTEM

Since Inert gases leave no residue or oily deposits on delicate electronic equipment and can be removed from the protected space by mere ventilation they are ideal for high value assets protection including Data centres, Servers racks, Electronic Data Processing Centres, Bank Vaults, Switching stations, etc Hospitals.

**Typical areas that can be protected by Ceasefire Inert gas fire suppression system are as follows:**

- | Bank Vaults
- | Libraries
- | Rare book stores
- | Archive Storage Rooms
- | Electronic Data Processing
- | Telephone Exchanges
- | Studios
- | Communication Centres
- | Transformer and Switch rooms
- | Control Rooms
- | Test Laboratories
- | Flammable Liquid Stores
- | Computer and Control Rooms
- | Tape Stores
- | Electrical Cabinets
- | Electrical Switchgear
- | Telecommunication Equipment



# CEASEFIRE DESIGN CELL :

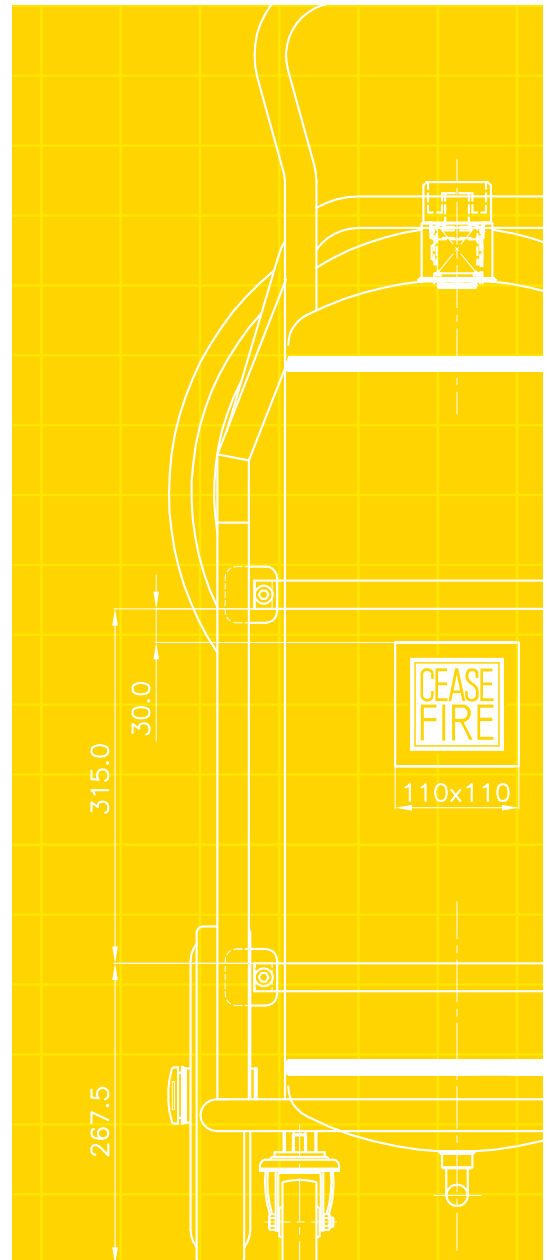
No two premises are alike. By offering the most flexible system configurations in the industry, Ceasefire provides the most efficient protection for facilities. Believing that the most effective fire solutions are the ones that are customised according to the unique characteristics of the area being protected, Ceasefire has established the Ceasefire Design Cell (CDC).

Functioning as the single touch point for all fire safety needs, CDC is manned by fire experts and managers with years of experience in fire safety under their belts. As a part of Ceasefire's 360 degree protection solution, the Ceasefire Technical Survey team visits your facility and conducts a detailed study to understand its vulnerabilities and requirements. They survey the premises and work out requirement based on fire threats in the room.

Once it has been finalised, Ceasefire's expert Installation Team oversee installation and testing. The Ceasefire Team also trains you and your staff to use the fire safety system.

## Benefits:

- An exhaustive planning process, executed by engineers with years of experience.
- State-of-the-art solutions and products in association with world leaders.
- Design and installation of your System overseen by professionals, ensuring delivery of a high quality & reliable system.



## CEASEFIRE NOW

360° lifesaving fire safety solutions. More than 3,000 new customers a month. A product sold every 61 seconds. A life saved every 5 minutes. Presence in over 300 cities and towns. Backed by a team of more than 2,000. 400 lifesaving products – from green fire extinguishers that can tackle any kind of fire to first of its kind automatic fire extinguisher to more advanced independent suppression systems – Ceasefire has it all. We're equipped and ready to protect your premises.

## Ceasefire Industries UK Limited

Office Number 301.3 One Victoria Square Birmingham West Midlands B1 1BD United Kingdom

Tel: 0-113-868-6666 / 0-126-891-9999

---

[www.ceasefire.co.uk](http://www.ceasefire.co.uk)

Follow us on:



MARKETED BY: