

## CAFS (WATERMIST COMPRESSED AIR FOAM SYSTEM)

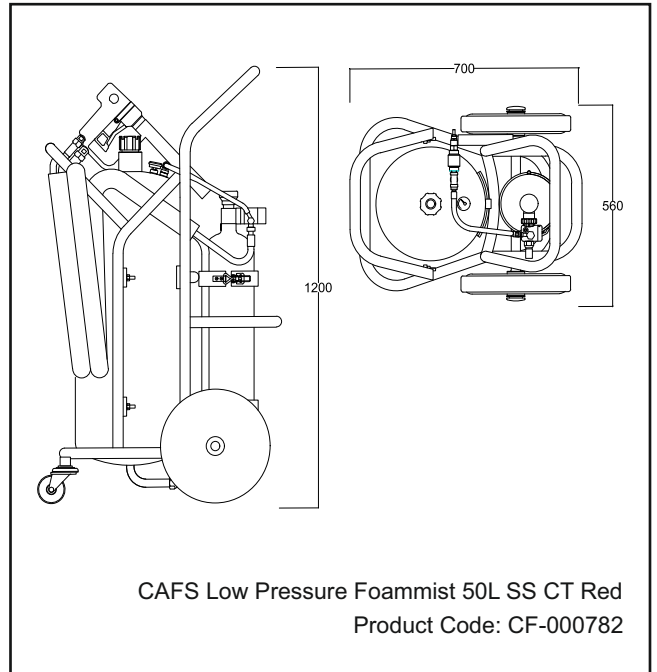
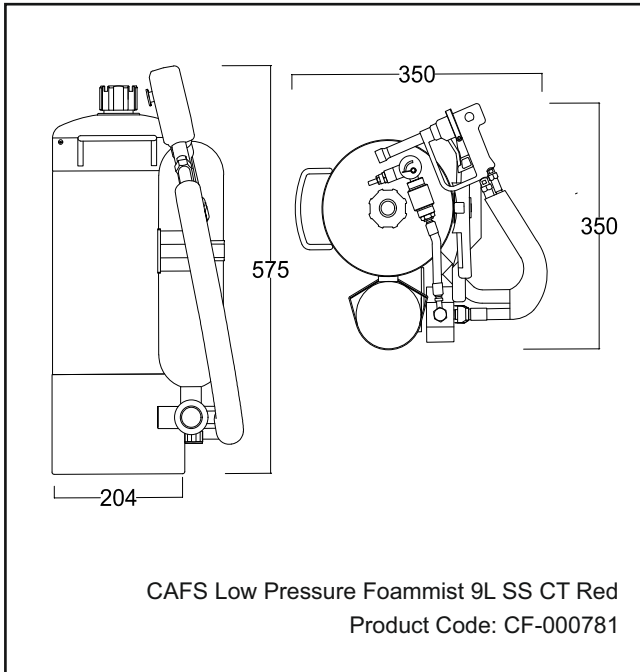
### LOW PRESSURE (PRODUCT OVERVIEW)

Water fights fire the best when it is completely vaporized. That's what Ceasefire's Compressed Air Foam System does. Using a specially designed discharge gun, it expels approximately 100-micron-sized droplets with a kinetic force strong enough to overcome the fire's convection currents. The watermist turns into steam, evaporates, and stops the fire from spreading. The foam component has a blanketing effect on the fire.

Ceasefire's Compressed Air Foam System is safe to use on Class B fires like petrol and diesel, and electrically started fires—two areas where traditional water applications would either spread the fire or cause an electrical shock.



### ENGINEERING DRAWINGS





## TECHNICAL SPECIFICATIONS

Product Code	UOM	CF-000781	CF-000782
Description	—	Fire Extinguisher CAFS LOW PRESSURE Foam Mist 9L SS CT Red	Fire Extinguisher CAFS LOW PRESSURE Foam Mist 50L SS CT Red
Capacity of Agent	L	9-5%	50-5%
Certification	—	PED BSI TESTED	EN1866 PED
Diameter of Shell	MM	204	300
Total Height (approx.)	MM	575	1200
MOC of Shell	—	SS 316L (1.4435)	SS 316L
Min. Wall Thickness	MM	1.5	2
Test Pressure	BAR	35	30
Cartridge Capacity	BAR	2ltr Aluminium Cylinder Cylinder - 200Bar	6 LTR Mild Steel - 300 BAR
Anti-Corrosive Treatment	—	Outer surfaces are EP Powder coated having Thickness 50 Micron Min. RAL Shade 3000	Outer surfaces are EP Powder coated having Thickness 50 Micron Min. RAL Shade 3000
Service Pressure	BAR	8	8 to 8.5
Type of Operating Mechanism	—	Squeeze Grip Gun	Squeeze Grip Gun
Type of Pressure Gauge	—	Magnetic Bourdon Tube Type	Magnetic Bourdon Tube Type
Type of Dis. Fitting & Length	MM	EPDM Rubber Braided Hose Pipe with nozzle Length of Hose 1300 mm (Min.)	EPDM Rubber Braided Hose Pipe with nozzle Length of Hose 5000 mm (Min.)
Throw	Meter	12	16
Min. Discharge Time	SEC.	40 to 42	120
Fire Rating	—	27A   233B	21A   IIB
Operating Temperature Range	°C	5°C to +55°C	5°C to +55°C
Applicable to Type of Fire	—	Class A, B & Electrical Started Fire	Class A, B & Electrical Started Fire
Filled Weight Range*	KG	23.80 to 26.20	Approx. 102.50
Packed Weight Range (approx)**	KG	25.03	118.45
Packed Size Length xWidth x Height	MM	400 X 400 X 680	700 X 560 X 1200
Product Warranty	YEAR	5	5

\*It includes Empty Extinguisher, Contents, Hose / Gun and trolley.

\*\*It includes Empty Extinguisher, Packaging, Contents, Hose / Gun and trolley.

## CERTIFICATIONS



## PRODUCT PICTURES



9 L



50 L

\*v1' Published Date is 31-07-2022.

\*\*Regular R&D and product improvisations may lead to change in product specifications in this data sheet, without any prior notice.