

# DATA SHEET

## PRESSURE SENSITIVE REGULATING UNLOADER



**Brass Models: 7537, 7542**



Model 7537 Shown

### FEATURES

- Maintains full system pressure while running in by-pass without full load on pump.
- Senses pressure built up from downstream flow changes and by passes flow to protect pump from overpressure.
- Minimum pressure fluctuations with alternating use of multiple guns.
- Multiple ports for convenient mounting.
- Color coded spring allows for easy identification and simple change from one model to another.
- Standard unloaders are fitted with NBR O-Rings. Optional O-Rings are available for higher-temperature and chemical compatibility.
  - FPM – .0110 (7537.0110)
  - FPM – .0110 (7542.0110)

### SPECIFICATIONS

#### 7537

	U.S.	Metric
Flow Range	1–21 gpm	3.8–80 lpm
Pressure Range	230–2600 psi	15.8–180 bar

#### 7542

Flow Range	1–21 gpm	3.8–80 lpm
Pressure Range	800–4000 psi	55–275 bar

### COMMON SPECIFICATIONS

Maximum Operating Temperatures:

	U.S.	Metric
Standard NBR O-Rings	140°F	60°C
Std. NBR O-Rings (Intermittent)	195°F	90°C
Optional FPM O-Rings	240°F	116°C
Inlet Ports (2)	½" NPT(F)	½" NPT(F)
Discharge Port	½" NPT(F)	½" NPT(F)
By-Pass Port	½" NPT(F)	½" NPT(F)
Weight	2.54 lbs	1.15 kg
Dimensions	7.57 x 3.96 x 1.74"	192.2 x 100.5 x 44.3 mm

Use only at above specifications to ensure proper unloader life and performance.

For relief valve conversion see page 4.

## Read all CAUTIONS and WARNINGS before commencing service or operation of any high-pressure system

### SELECTION

These pressure sensitive regulating unloaders are designed for systems with single or multiple pumps, solenoid (gate) valves, nozzles, standard or "weep" guns.

**Note:** For multiple pump systems, it is best to use a pressure regulator, not a pressure-sensitive regulating unloader.

These pressure-sensitive regulating unloaders should meet both the desired system flow (combined nozzle flow rate requirement) and the desired system pressure.

**Note:** Operation below the minimum flow of the unloader causes the unloader to cycle. Operation above the maximum flows of the unloader causes premature unloader wear, cycling and prevents attaining desired system pressure.

### INSTALLATION

These unloaders operate properly when mounted in any direction, however, it is preferred to keep the plumbing to a minimum and the hex adjusting nut easily accessible. The best mounting location is directly on the pump discharge manifold head.

There are two (2) inlet connections on these unloaders. Both are 1/2" NPT(F) ports and are located on the short extension side and bottom. An arrow and the word IN is cast into the body indicating the direction of flow. Liquid from the manifold discharge goes through these connections.

The discharge connection is a 1/2" NPT(F) hex fitting. An arrow and the word OUT is cast into the body indicating the direction of flow. Discharge plumbing for the spray guns, solenoid (gate) valves or nozzles are connected to this port.

The by-pass connection is a 1/2" NPT(F) port located on the side of the body. The word BY-PASS is cast into the body. By-pass liquid is directed out of this port and can be routed to a reservoir (preferred method), a drain or to the pump inlet.

### OPERATION

These pressure-sensitive regulating unloaders hold established system pressure in the discharge line when the trigger gun is closed or solenoid (gate) valve is closed or the nozzle is clogged, thus by passing all unrequired flow. Squeezing the trigger gun or opening the solenoid (gate) valve will close the by-pass and return to established system pressure.

### PRESSURE ADJUSTMENT

1. Setting and adjusting the unloader pressure must be done with the system "on".
2. Start the system with unloader backed off to the lowest pressure setting (counterclockwise direction).
3. Squeeze the trigger and read the pressure on the gauge at the pump.  
**Note:** Do not read the pressure at the gun or nozzle.
4. If more pressure is desired, release the trigger, turn hex adjusting nut one quarter turn in clockwise direction.
5. Squeeze the trigger and read the pressure.
6. Repeat this process until desired system pressure is attained.
7. Once the desired system pressure is reached, stop turning the hex adjusting nut.

**Note:** Pressure is not set at the factory.

**Notice:** A minimum by-pass flow of 5% of the unloader rated flow capacity is required for proper unloader performance. If the entire flow is directed through the nozzle (zero by-pass) the "cushioning" feature of the by-pass liquid is eliminated and the unloader can prematurely wear or malfunction.

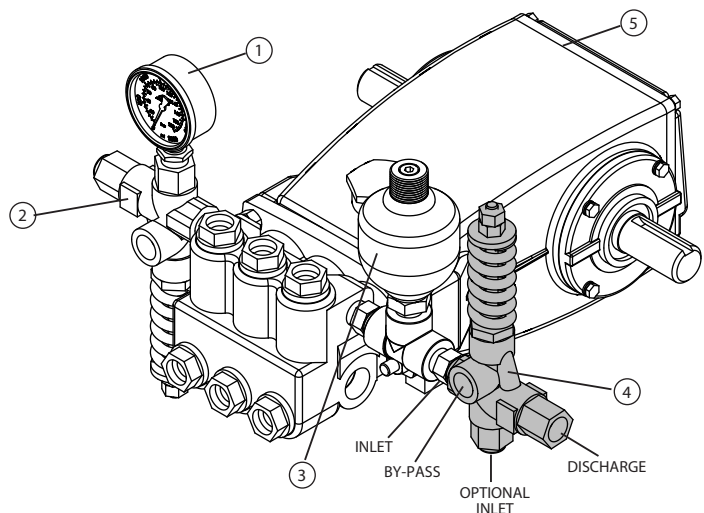
8. If desired system pressure cannot be reached, review TROUBLESHOOTING chart.
9. When servicing existing systems, follow adjustment procedures as stated above.

**Note:** A secondary pressure safety relief device (i.e. pop-off valve, safety valve) should be used along with this pressure-sensitive regulating unloader. Final adjustment for the relief valve should relieve at 200 psi above the system operating pressure.

**Note:** By removing the check valve and spring, these unloaders can function as a secondary relief valve.

### TYPICAL UNLOADER INSTALLATION

1. Pressure Gauge
2. Relief Valve  
Shown as a secondary Safety Relief Valve
3. Pulsation Dampener
4. **Pressure Regulating Unloader**
5. Triplex Plunger Pump



## Read all CAUTIONS and WARNINGS before commencing service or operation of any high-pressure system

### SERVICING

#### Disassembly

1. Disconnect by-pass, discharge and inlet plumbing from unloader.
  2. Remove unloader from pump.
  3. Secure body of unloader in a vise with hex adjusting nuts facing up.
  4. Remove discharge fitting and O-Ring, spring, and check valve with O-Ring.
  5. Examine check valve and discharge fitting for wear, spring for wear or fatigue, and O-Rings for cuts or wear. Replace as needed.
- Note:** While the discharge fitting is removed, inspect sealing area where the check valve makes contact within the internal body of the unloader for grooves, pitting and wear. If damage is found, stop the repair and replace with complete new unloader. If not, proceed with disassembly.
6. Remove two (2) hex adjusting nuts by turning in a counterclockwise direction.
  7. Remove spring retainer and spring.
  8. Examine spring and spring retainer for scale build up, fatigue or wear and replace as needed.
  9. Use wrench to unthread and remove piston retainer and piston stem together from main unloader body.
  10. Examine piston stem and piston retainer for scale build up, scoring, pitting and wear and replace as needed. Examine O-Rings and backup rings for cuts or wear. Replace as needed.
  11. Remove unloader body from vise and reposition in vise with bottom inlet port facing up.
  12. Remove inlet fitting with O-Ring, seat spring and ball.
  13. Remove unloader body from vise and reposition in vise with bottom inlet port facing down.
  14. Drive out seat and O-Ring from the top side.
  15. Examine seat, seat spring and ball for scale build up, scoring and wear and replace as needed. Examine O-Rings for cuts or wear. Replace as needed.

#### Reassembly

1. Remove unloader body from vise and reposition in vise with bottom inlet port facing up.
2. Lubricate and install O-Ring onto outside diameter of seat.
3. Place seat with O-Ring into unloader body with small inside diameter hole facing up.
4. Place ball onto seat and then spring.
5. Lubricate and install O-Ring onto inlet fitting. Thread in inlet fitting by hand and tighten.
6. Remove unloader body from vise and reposition in vise with bottom inlet fitting facing down.
7. Lubricate and install O-Ring and then backup ring over threaded end of piston stem small diameter groove.
8. Install backup ring, O-Ring and then backup ring on opposite end of threaded piston stem. Lubricate all parts.
9. Lubricate and install O-Ring onto piston retainer.
10. Place threaded end of piston retainer over the threaded end of the piston stem.
11. Place piston retainer and piston stem assembly into unloader body with threaded end of piston stem facing up. Thread piston retainer into unloader body by hand and tighten with wrench.
12. Apply Loctite® 242® to the bottom threads of the piston stem.
13. Hand thread one (1) hex nut onto piston stem and tighten with wrench.
14. Place spring over piston stem and then spring retainer onto spring with stepped surface facing down.
15. Hand thread two (2) hex nuts onto piston stem.
16. Lubricate O-Ring on check valve. Insert check valve with O-Ring facing into unloader body. Place spring onto check valve.
17. Lubricate O-Ring on discharge fitting. Hand thread into unloader body and tighten with wrench.
18. Remove unloader from vise.
19. Re-install unloader onto pump.
20. Reconnect by-pass, discharge and inlet plumbing to unloader.
21. Proceed to PRESSURE ADJUSTMENT.

Loctite and 242 are registered trademarks of the Henkel Corporation.

### TROUBLESHOOTING

Unloader cycles	<ul style="list-style-type: none"> <li>• Worn O-Ring or check valve</li> <li>• Fitting leaking downstream</li> <li>• O-Ring in gun worn</li> </ul>
Liquid leaking from bottom	<ul style="list-style-type: none"> <li>• O-Ring for seat or inlet fitting cut or worn</li> </ul>
Liquid leaking from middle	<ul style="list-style-type: none"> <li>• O-Ring for piston worn or cut</li> </ul>
Unloader will not come up to pressure	<ul style="list-style-type: none"> <li>• Not properly sized for system pressure</li> <li>• Foreign material in unloader</li> <li>• Piston O-Rings worn</li> <li>• Nozzle worn or too large</li> <li>• Jam nuts not properly set</li> </ul>
Extreme pressure spikes	<ul style="list-style-type: none"> <li>• Adjusting handle turned completely into unloader</li> <li>• Restricted by-pass or no by-pass</li> <li>• System flow exceeds unloader rating</li> </ul>

### PRESSURE READING

Approximate pressure reading at gauge	Gauge between pump/unloader	Gauge between unloader/gun-nozzle-valve
System in operation (Gun open)	System pressure	System pressure
System in by-pass (All guns, valves closed)	Low pressure 0–150 psi	System Pressure +200 psi

## PARTS LIST

ITEM	PN	MATL	PN	MATL DESCRIPTION	QTY	
	<b>7537 BB</b>		<b>7542 BB</b>			
402	31766	NY	31766	NY	Handle, Adjustment	1
403	126521	STCP R	126521	STCP R	Nut, Hex Adjusting (M8)	2
408	<b>32090</b>	STL	—	—	Spring Pressure (White) <b>7537</b>	1
—	—	—	<b>32092</b>	STL	Spring Pressure (Blue) <b>7542</b>	1
409	—	BB	—	BB	Nut, Hex (M8)	1
410	32115	BB	32115	BB	Retainer, Spring	1
412	76170	S	76170	S	Stem, Piston	1
414	—	PTFE	—	PTFE	Backup Ring, Piston Stem	1
415	—	NBR	—	NBR	O-Ring, Piston Stem	1
425	76727	BB	76727	BB	Retainer, Piston	1
428	—	NBR	—	NBR	O-Ring, Piston Retainer	1
429	—	NBR	—	NBR	O-Ring, Piston Stem	1
430	—	PTFE	—	PTFE	Backup Ring, Piston Stem	2
434	76022	S	76022	S	Spring, Seat	1
435	76706	SS	76706	SS	Ball and Seat Assembly (2-piece)	1
437	—	NBR	—	NBR	O-Ring, Seat	1
439	—	NBR	—	NBR	O-Ring, Inlet Fitting	1
440	—	FBB	—	FBB	Body	1
441	—	NBR	—	NBR	O-Ring, Check Valve	1
443	76745	BB	76745	BB	Valve, Check with NBR O-Ring	1
—	76723	BB	76723	BB	Valve, Check with FPM O-Ring	1
444	76722	S	76722	S	Spring, Check Valve	1
446	—	NBR	—	NBR	O-Ring, Discharge Fitting	1
455	76018	BB	76018	BB	Fitting, Inlet [1/2" NPT(F)]	1
460	76024	BB	76024	BB	Fitting, Discharge [1/2" NPT(F)]	1
462	30533	BB	30533	BB	Plug, Inlet [1/2" NPT(M)]	1
468	76671	NBR	76671	NBR	Kit, O-Ring (Includes: 414, 415, 428, 429, 430, 437, 439, 441, 446) After Week #41, 2016 (7537); Week #29, 2016 (7542)	1
—	76680	FPM	76680	FPM	Kit, O-Ring (Includes: 414, 415, 428, 429, 430, 437, 439, 441, 446) After Week #41, 2016 (7537); Week #29, 2016 (7542)	1

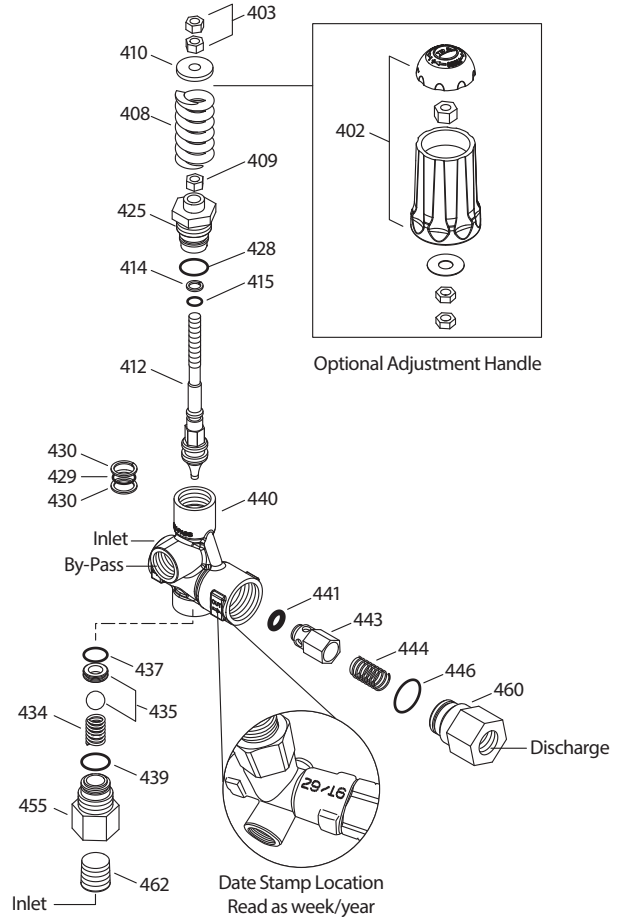
\*See Tech Bulletin #120 for changes prior to Week #41/2016 and Week #29/2016.

### Bold print part numbers are unique to a particular model.

*Italics are optional items.*

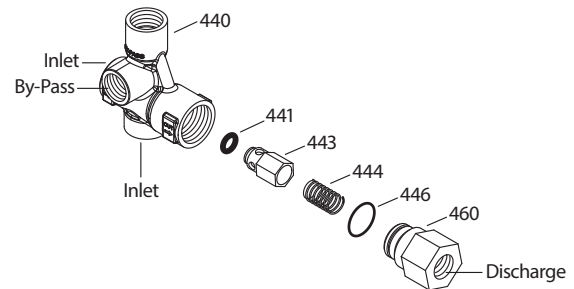
R Components comply with RoHS Directive. MATERIAL CODES (Not Part of Part Number): BB=Brass FBB=Forged Brass FPM=Fluorocarbon  
NBR=Medium Nitrile (Buna-N) PTFE=Pure Polytetrafluoroethylene S=304SS  
SS=316SS STCP=Steel/Chrome Plated STL=Steel

## EXPLODED VIEW



To convert to optional handle assembly, remove items 403 (quantity 2), 410 and 409. Then reassemble as shown in insert.

## 🔧 RELIEF VALVE CONVERSION



To convert 7537, 7542 unloaders to relief valves 7537.100, 7542.100. Remove items 441, 443 and 444. Reinstall items 446 and 460.

### ⚠️ CAUTIONS AND WARNINGS

All high-pressure systems require a primary pressure regulating device (i.e. regulator, unloader) and a secondary pressure relief device (i.e. pop-off valve, relief valve). Failure to install such relief devices could result in personal injury or damage to pump or property. Cat Pumps does not assume any liability or responsibility for the operation of a customer's high-pressure system.

Read all CAUTIONS and WARNINGS before commencing service or operation of any high-pressure system. The CAUTIONS and WARNINGS are included in each Service Manual and with each Accessory Data sheet. CAUTIONS and WARNINGS can also be viewed online at [www.catpumps.com/dynamic-literature/cautions-and-warnings](http://www.catpumps.com/dynamic-literature/cautions-and-warnings) or can be requested directly from Cat Pumps.

### WARRANTY

View the Limited Warranty on-line at [www.catpumps.com/literature/cat-pumps-limited-warranty](http://www.catpumps.com/literature/cat-pumps-limited-warranty)