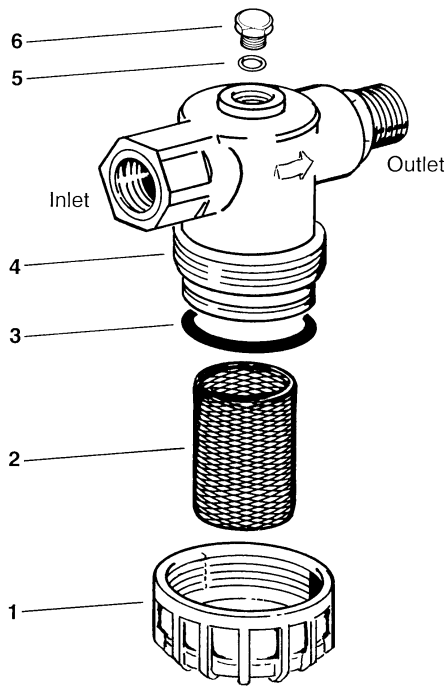


EXPLODED VIEW



PARTS LIST

ITEM	PN	MATL	DESCRIPTION	QTY
1	—	RTP	Body, Lower	1
2	33019	SS	Screen (50 Mesh)	1
3	33010	NBR	O-Ring, Body	1
4	—	RTP	Body, Upper	1
5	33986	FBR	Gasket (1/4")	1
6	33984	BB	Plug, Hex Head (1/4" BSPM)	1

MATERIAL CODES (Not Part of Part Number): BB=Brass FBR=Fiber
NBR=Medium Nitrile (Buna-N) RTP=Reinforced Composite SS=316SS

TROUBLESHOOTING

System pulsation	<ul style="list-style-type: none"> ● Clogged filter. Flush screen.
Leaking at center connection	<ul style="list-style-type: none"> ● Cut or pinched O-ring. Replace for proper seal.
Low system pressure	<ul style="list-style-type: none"> ● Clogged filter. Restricted inlet water. Flush screen. Increase filter flush cycle.
Pitted valves, seats in pump	<ul style="list-style-type: none"> ● Clogged filter. Prolonged insufficient inlet flow. Increase filter flush cycle. ● Increase Filter capacity to match system.

WARRANTY

90 Day Warranty

Refer to complete CAT PUMPS Warranty for further information.

World Headquarters

CAT PUMPS

1681 - 94th Lane N.E. Minneapolis, MN 55449-4324

Phone (763) 780-5440 — FAX (763) 780-2958

e-mail: techsupport@catpumps.com

www.catpumps.com

International Inquiries

FAX (763) 785-4329

e-mail: intlsales@catpumps.com



The Pumps with Nine Lives

CAT PUMPS (U.K.) LTD.

1 Fleet Business Park, Sandy Lane, Church Crookham

FLEET, Hampshire, GU52 8BF, England

Phone Fleet 44 1252-622031 — Fax 44 1252-626655

e-mail: sales@catpumps.co.uk

N.V. CAT PUMPS INTERNATIONAL S.A.

Heiveldkens 6A, B-2550 Kontich, Belgium

Phone 32-3-450.71.50 — Fax 32-3-450.71.51

e-mail: cpi@catpumps.be www.catpumps.be

CAT PUMPS DEUTSCHLAND GmbH

Buchwiese 2, D-65510 Idstein, Germany

Phone 49 6126-9303 0 — Fax 49 6126-9303 33

e-mail: catpumps@t-online.de www.catpumps.de