



## FEATURES

- Square, ventilated, durable black nylon Insulator for operator comfort and safety.
- Suitable for hot or cold water cleaning.
- Durable 2-piece Nozzle Protector reduces nozzle clogging and damage.
- Zinc plated and 304SS construction for cleaning flexibility.



## FEATURES

- Lightweight molded lance for sure grip and optimum control.
- New molded insulator eliminates assembly and adjustment.
- Optional lengths for flexibility and specialized cleaning.

# Single Lances

**Zinc Plated Models** 31017  
32031, 32032, 32033  
32034, 32035, 32036

### SPECIFICATIONS

	U.S. Measure	Metric Measure
Maximum Flow .....	10.5 GPM	(40 L/M)
Maximum Pressure .....	3650 PSI	(250 BAR)
Maximum Temperature .....	320°F	(160°C)
Inlet Fitting (32036 Only) .....	1/4" NPTM	(1/4" NPTM)
Inlet Fitting .....	1/4" BSPM	(1/4" BSPM)
Nozzle Holder .....	1/4" NPTF	(1/4" NPTF)
	<b>32036</b>	
	<b>31017</b>	<b>32031</b> <b>32032</b>
Length (in/mm) .....	27"/700	36"/900    48"/1200
Weight (oz./kg) .....	21.8/.62	24.2/.69    35.4/1.01
	<b>32033</b> <b>32034</b> <b>32035</b>	
Length (in/mm) .....	60"/1500	67"/1700    79"/2000
Weight (oz./kg) .....	41/1.17	43.8/1.25    49.1/1.40

**Stainless Model** 32042

### SPECIFICATIONS

	U.S. Measure	Metric Measure
Maximum Flow .....	10.5 GPM	(40 L/M)
Maximum Pressure .....	3650 PSI	(250 BAR)
Maximum Temperature .....	320°F	(160°C)
Inlet Fitting .....	1/4" NPTM	(1/4" NPTM)
Nozzle Holder .....	1/4" NPTF	(1/4" NPTF)
Length .....	36"	(900 mm)
Weight .....	21.8 oz.	(.60 kg)

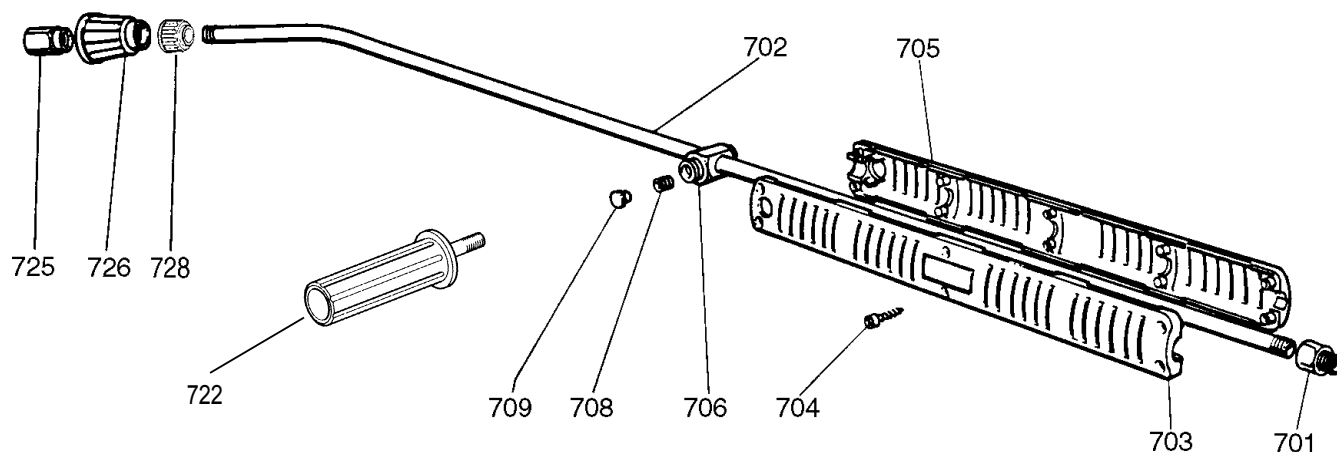
**Square Molded Zinc Plated Models** 32264  
32268, 36267, 36269

### SPECIFICATIONS

	U.S. Measure	Metric Measure
Maximum Flow .....	10.5 GPM	(40 L/M)
Maximum Pressure .....	3650 PSI	(250 BAR)
Maximum Temperature .....	320°F	(160°C)
Inlet Fitting .....	1/4" BSPM	(1/4" BSPM)
Discharge Fitting .....	1/4" BSPM	(1/4" BSPM)
	<b>32264</b>	
		<b>32268</b> <b>36269</b>
Length (in/mm) .....		24"/600
Weight (oz./kg) .....		14.9/.42
	<b>36267</b> <b>32268</b> <b>36269</b>	
Length (in/mm) .....	36"/900	48"/1200    60"/1500
Weight (oz./kg) .....	21.0/.60	29.8/.84    36.0/1.02

*"Customer confidence is our greatest asset"*

## EXPLODED VIEW (Models 31017, 32031-32042)



### PARTS LIST

ITEM	P/N	MATL	DESCRIPTION	QTY.	ITEM	P/N	MATL	DESCRIPTION	QTY.
701	32868	BB	Fitting, Inlet (1/4")	1	709	32871	NY	Plug	1
702	—	ZP	Tube (600-2000 mm)	1	722	32698	NY	Assy, Side Grip	1
	—	S	Tube (700-2000 mm)	1	725	32053	STZP	Holder, Nozzle (14"NPTF x 1/4"NPTF)	1
703	—	NY	Cover, Lance, Left	1	726	31060	—	Protector, Nozzle	1
704	—	STZP	Screw, Self-Threading (M3.5x18)	6	728	31110	NY	Collar, Protector	1
705	—	NY	Cover, Lance, Right	1	735	31169	NY	Assy, Protector (Inclds: 726, 728)	1
706	—	NY	Adapter, Side Grip	1	736	32865	—	Assy, Insulator (Inclds: 703, 704, 705, 706)	1
708	32870	STZP	Screw, Set (M10)	1					

*Italics are optional items.*

Material Codes (Not Part of Part No.: BB=Brass NY=Nylon S=304SS STZP=Steel/Zinc Plated ZP=Zinc Plated)

**SELECTION:** Select a lance that matches the system flow and pressure to assure safety during operation. Select standard zinc plated or 304SS for compatibility and longer life.

**INSTALLATION:** Install these single lances onto any 1/4" fitted gun. Use PTFE thread tape or pipe thread sealant to assure an air tight fit and thread on hand tight until no leaking is visible.

**NOTE:** To install optional grip assembly, remove black nylon plug and M10 set screw. Thread the side grip assembly in by hand until it is snug.

**OPERATION:** Flow goes through the lance as soon as the trigger on the gun is squeezed.

### ⚠ WARNING

**Severe injury can occur with high pressure spray.  
Do not allow spray to contact any part of body.**

### TROUBLESHOOTING

Leaking at gun connection	• Check fitting for proper sealant and reconnect to gun.
Leaking at nozzle	• Check for proper sealant at lance and nozzle protector connection and reconnect.
Broken nozzle protector	• Replace to assure nozzle life.

### WARRANTY

#### 90 Day Warranty

Refer to complete CAT PUMPS Warranty for further information.

### World Headquarters

CAT PUMPS

1681 - 94th Lane N.E. Minneapolis, MN 55449-4324

Phone (763) 780-5440 — FAX (763) 780-2958

e-mail: techsupport@catpumps.com

www.catpumps.com

### International Inquiries

FAX (763) 785-4329

e-mail: intl@catpumps.com



*The Pumps with Nine Lives*

### CAT PUMPS (U.K.) LTD.

1 Fleet Business Park, Sandy Lane, Church Crookham

FLEET, Hampshire, GU52 8BF, England

Phone Fleet 44 1252-622031 — Fax 44 1252-626655

e-mail: sales@catpumps.co.uk

### N.V. CAT PUMPS INTERNATIONAL S.A.

Heiveldkens 6A, B-2550 Kontich, Belgium

Phone 32-3-450.71.50 — Fax 32-3-450.71.51

e-mail: cpi@catpumps.be www.catpumps.be

### CAT PUMPS DEUTSCHLAND GmbH

Buchwiese 2, D-65510 Idstein, Germany

Phone 49 6126-9303 0 — Fax 49 6126-9303 33

e-mail: catpumps@t-online.de www.catpumps.de