



**AKRON**<sup>®</sup>  
BRASS COMPANY

---

**Tested... Proven... Trusted.**

**Reels**

# REELS

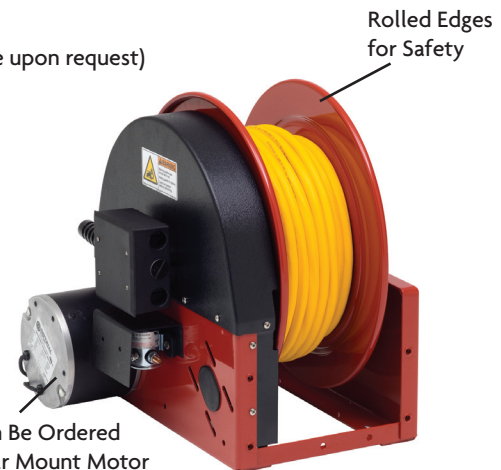
These reels are built to Akron Brass' standard of performance and reliability. They have a powder coated finish and stainless steel hardware for years of durable service life. In addition, these new reels are some of the most versatile reels available. If the desired motor location is known, simply specify and we will ship the reel ready to mount. They can be mounted on the floor, back wall or even the ceiling of any compartment. The guide rollers can be ordered in various configurations to make sure the cord or hose wraps correctly no matter where the reel is mounted.

## ELECTRIC REWIND CORD REEL

ERWC-15-10 & ERW-16-6

The Electric Rewind Cord Reel is a natural extension of our current line of power distribution equipment. This reel contains many great features including:

- Heavy-duty construction for durability
- All stainless steel hardware and rollers
- Powder coated finish, standard colors are red and silver (Custom colors available upon request)
- Rolled edge discs
- Universal frames for flexibility of installation (4 motor locations)
- Rear motor mount option for narrower profile; maximizes compartment space
- Removable hub for ease of installation
  - Hub can be rotated for left or right motor mount installations
  - Hub is easily removed to mount frame to apparatus
- Live slip ring design
- Includes gang box attached to the commutator (not pictured)
- Custom length cords and connections available
- Capacity:
  - 250' of 12/3 600 volt wire
  - 200' of 10/3 600 volt wire
  - 200' of 10/4 600 volt wire
- Meets NFPA requirements, allows for 10% overage of cord
- See additional options on page 5

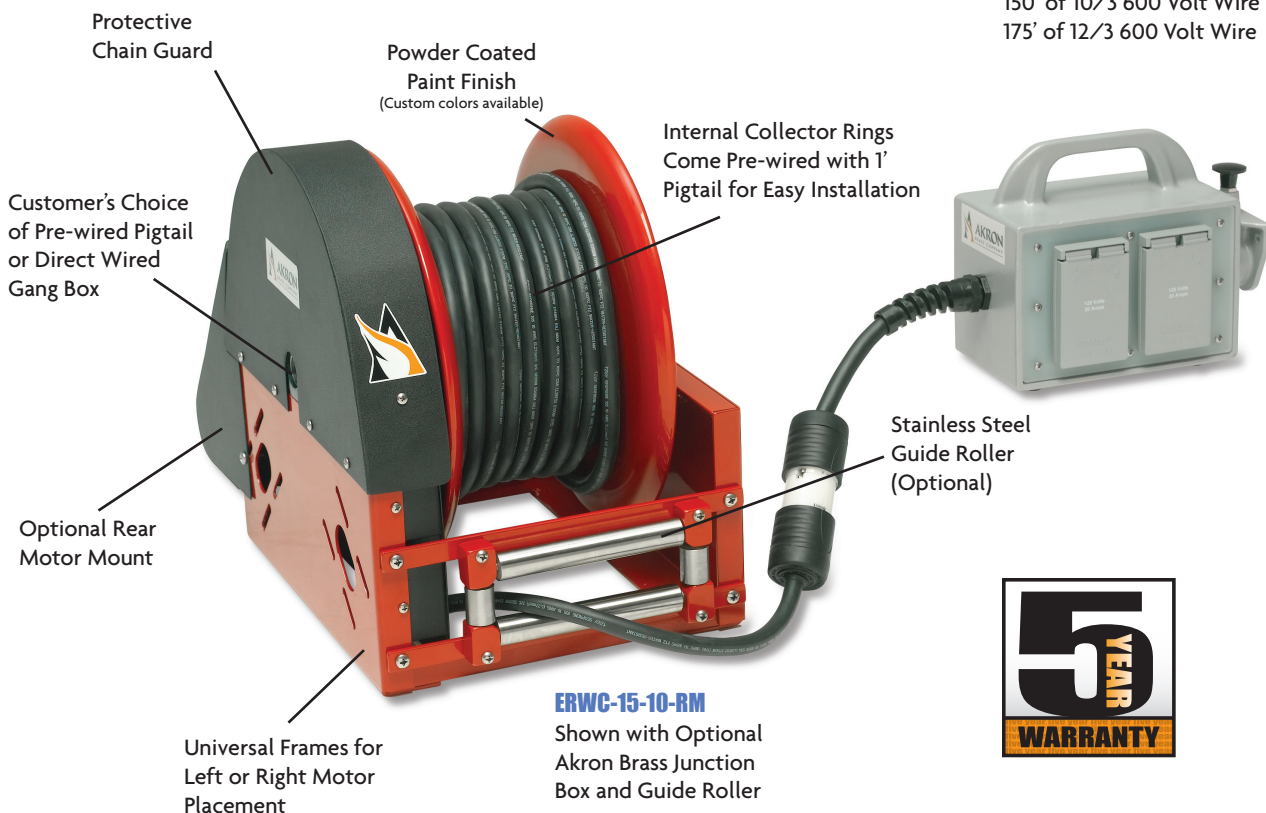


Reel Can Be Ordered with Rear Mount Motor or Switched Later with an Adapter Kit

### ERWC-16-6

New compact configuration for use with limited compartment space.

Capacity:  
150' of 10/3 600 Volt Wire  
175' of 12/3 600 Volt Wire



### ERWC-15-10-RM

Shown with Optional Akron Brass Junction Box and Guide Roller



REELS

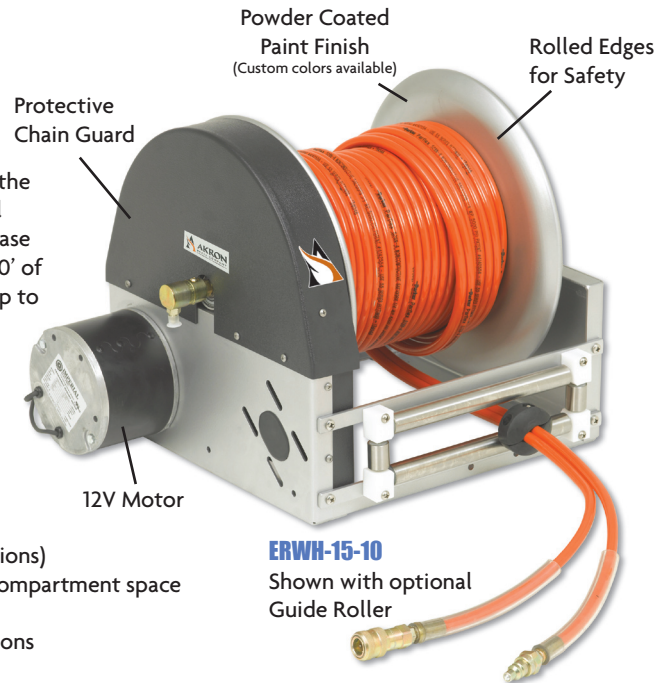


## ELECTRIC REWIND HYDRAULIC REEL

### ERWH-15-10

The new Electric Rewind Hydraulic Reel (ERWH) has many of the same features and durability as our Electric Rewind Cord Reel such as a powder coated finish, stainless steel hardware and ease with installation. This new reel comes equipped to handle 100' of ¼" dual hydraulic hose and is available with pressure ratings up to 10,500 psi.

- Heavy-duty construction for durability
- All stainless steel hardware and rollers
- Powder coated finish, standard colors are red and silver (Custom colors available upon request)
- Chrome plated option available
- Rolled edge discs
- Universal frames for flexibility of installation (4 motor locations)
- Rear motor mount option for narrower profile; maximizes compartment space
- Removable hub for ease of installation
  - Hub can be rotated for left or right motor mount installations
  - Hub is easily removed to mount frame to apparatus
- Inlet: ¼" NPT female threads
- Outlet: #4 JIC male threads
- Hydraulic hose packages available
- Capacity: 100' twin ¼" hydraulic hose
- Meets NFPA requirements, allows for 10% overage of hose
- Tested at a 2:1 safety factor
- See additional options on page 5



**ERWH-15-10**  
Shown with optional  
Guide Roller

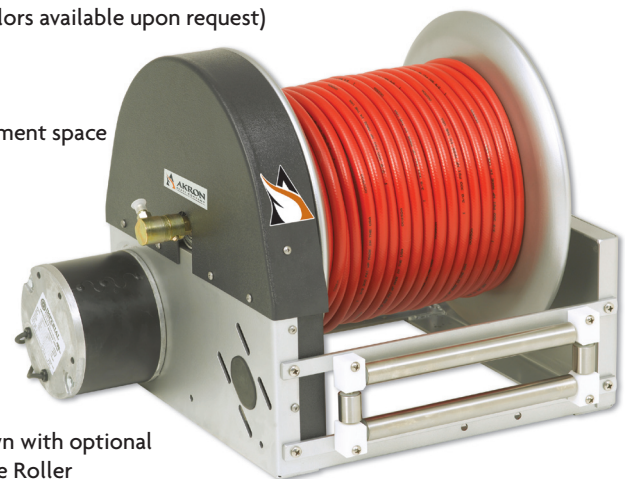


## ELECTRIC REWIND FOAM REEL

### ERWF - Foam

For your high pressure, low volume foam application; Akron Brass introduces our new foam reel. This reel is designed for pressures up to 3000 psi thru 3/8" ID hose. Its small size is ideal for your limited space applications.

- Heavy-duty construction for durability
- All stainless steel hardware and rollers
- Powder coated finish, standard colors are red and silver (Custom colors available upon request)
- Chrome plated option available
- Rolled edge discs
- Universal frames for flexibility of installation (4 motor locations)
- Rear motor mount option for narrower profile; maximizes compartment space
- Removable hub for ease of installation
  - Hub can be rotated for left or right motor mount installations
  - Hub is easily removed to mount frame to apparatus
- Meets NFPA requirements, allows for 10% overage of hose
- Tested at a 2:1 safety factor
- See additional options on page 5



Shown with optional  
Guide Roller



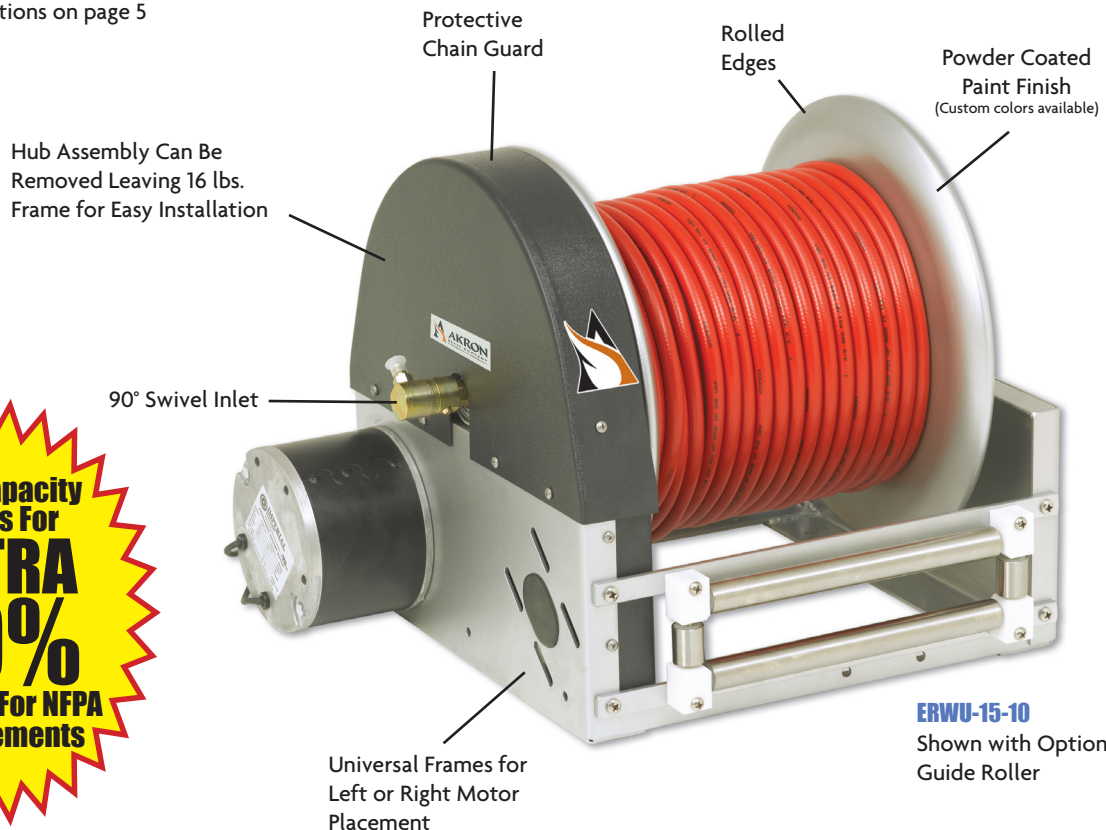
# REELS

## ELECTRIC REWIND AIR REEL

ERWU-15-10; ERWLB-15-10;  
ERWHB-15-10

The new Electric Rewind Air Reel have many of the same features and durability as our Electric Rewind Cord Reel. These include a powder coated finish, stainless steel hardware and ease with installation. There are three versions: the utility air reel (ERWU) for air tools (300 PSI), the low pressure (3,000 PSI) breathing air reel (ERWLB) and the high pressure (6,000 PSI) breathing air reel (ERWHB).

- Heavy-duty construction for durability
- All stainless steel hardware and rollers
- Powder coated finish, standard colors are red and silver (Custom colors available upon request)
- Chrome plated option available
- Rolled edge discs
- Universal frames for flexibility of installation (4 motor locations)
- Rear motor mount option for narrower profile; maximizes compartment space
- Removable hub for ease of installation
  - Hub can be rotated for left or right motor mount installations
  - Hub is easily removed to mount frame to apparatus
- Inlet: Utility air is 1/4" female NPT threads and breathing air is #4 JIC male threads
- Outlet: Utility air is 1/4" female NPT threads and breathing air is #4 JIC male threads
- Air hose packages available
- Capacity (Allows for 10% overage for NFPA requirements):
  - 300' of 1/4" ID air hose
  - 200' of 3/8" ID air hose
  - 150' of 1/2" ID air hose
- Meets NFPA requirements, allows for 10% overage of hose
- Tested at a 2:1 safety factor
- See additional options on page 5



**ERWU-15-10**  
Shown with Optional Guide Roller

Reel Capacity Allows For  
**EXTRA 10%**  
Overage For NFPA Requirements

## ELECTRIC REWIND BOOSTER REEL

### ERWB – Booster Hose

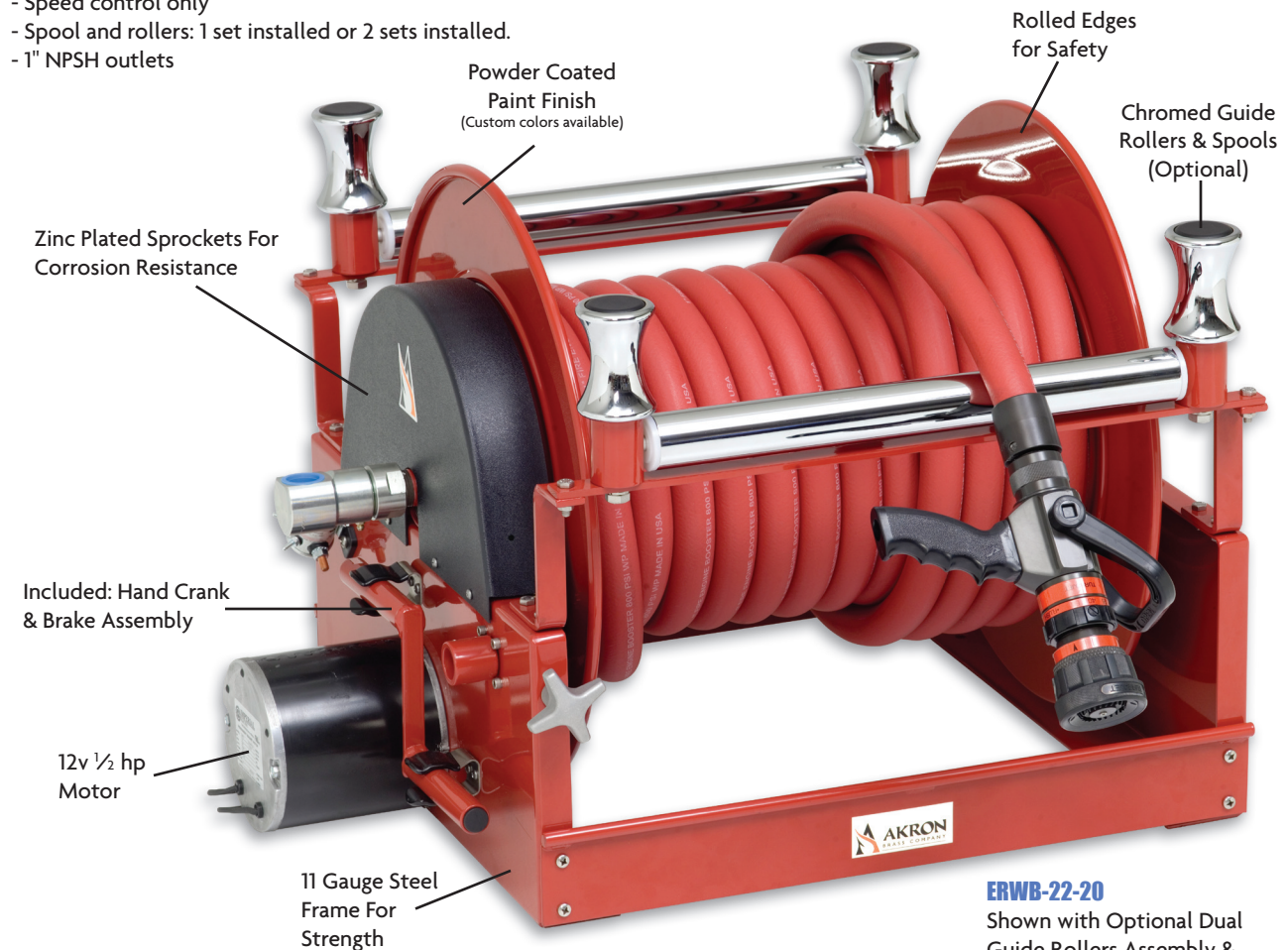
The newest addition to the Akron Brass reel family is our new Electric Rewind Booster Reel. This reel was designed to be both relatively lighter weight without sacrificing reliability and durability.

- Heavy-duty construction for durability
- All stainless steel hardware
- Powder coated finish, standard colors are red and silver (Custom colors available upon request)
- Chrome plated option available
- Rolled edge discs
- Protective chain guard
- Meets NFPA requirements
- Standard inlet: 90° super swivel with 1" female NPT threads
- Standard outlet: 1" male NST threads (1.375" x 8 TPI)
- 1000 PSI pressure rating
- Will handle hose: ¾" & 1" ID
- Capacity: 250' of ¾" or 150' of 1"
- Hand crank & brake
- Two way hub
- Relatively lighter weight
- See additional options on page 6



#### Additional Options:

- Switch and breaker only
- Solenoid, diode suppressor and speed control
- Speed control only
- Spool and rollers: 1 set installed or 2 sets installed.
- 1" NPSH outlets



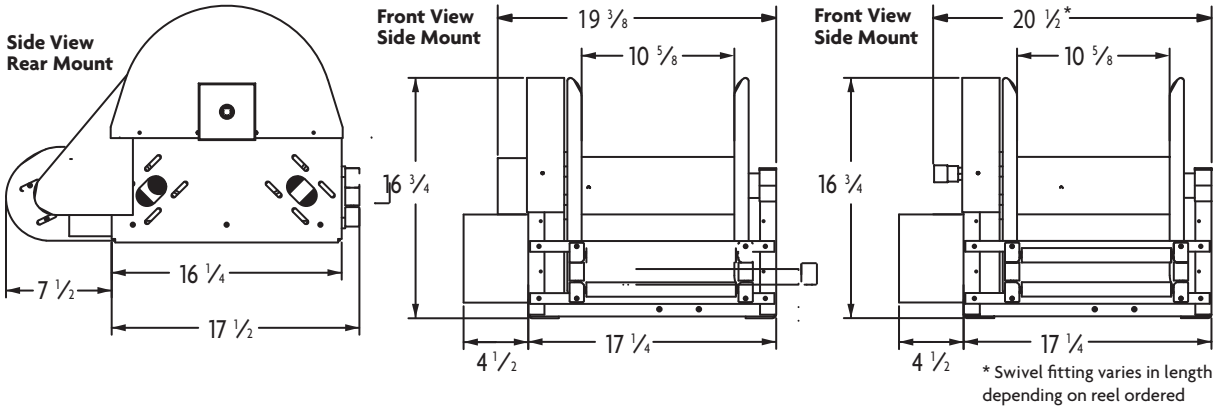
#### **ERWB-22-20**

Shown with Optional Dual Guide Rollers Assembly & Akron Brass Nozzle

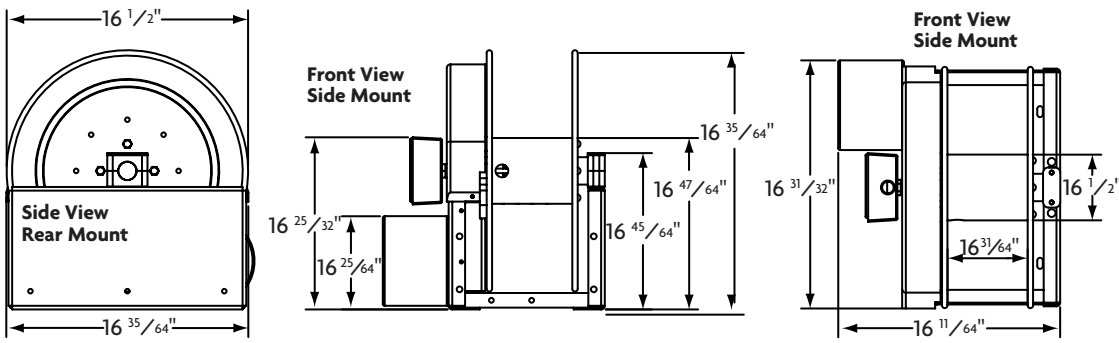


# REELS

## TECHNICAL INFORMATION FOR ELECTRIC, FOAM, HYDRAULIC & AIR REEL (XXX-15-10)

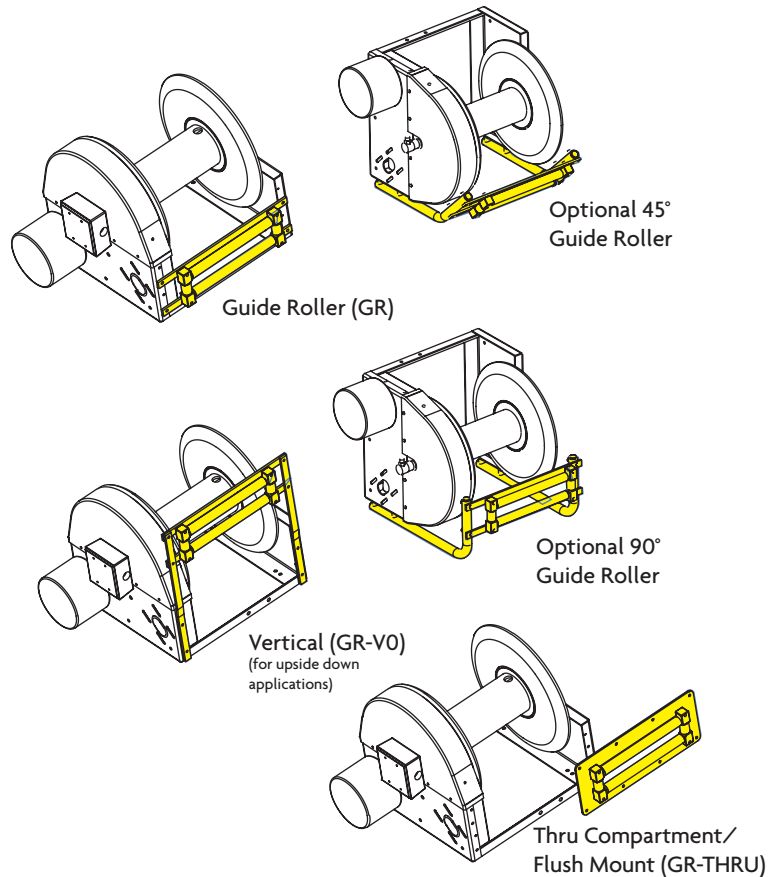


## TECHNICAL INFORMATION FOR ELECTRIC (ERWC-16-6)



## OPTIONS

BALL STOPS	
CS-08	Cord Stop for 8 Gauge Wire
CS-10	Cord Stop for 10 Gauge Wire
CS-12	Cord Stop for 12 Gauge Wire
HS-BA	Hose Stop for Breathing Air Hose
HS-TOOL	Hose Stop for Utility Air Hose
HS-TWIN	Hose Stop for 1/4" Twin Line Hose
GUIDE ROLLERS	
GR	Guide Roller Assembly
GR-V45	Guide Roller Assembly (Vertical 45 Degree Angle)
GR-V90	Guide Roller Assembly (Vertical 90 Degree Angle)
GR-V0	Guide Roller Assembly (Vertical 0 Degree Angle)
GR-THRU	Guide Roller Assembly (Thru Compartment Flush Mount)
CONTROL BOXES	
ERW-SL	Control Box with Switch and Breaker Only
ERW-SCS	Control Box with Solenoid, Diode Suppressor and Speed Control
ERW-SC	Control Box with Speed Control Only
REAR MOUNT	
ERW-RMC	Rear Mount Conversion Kit for Electric Rewind Reels
BRAKE	
ERW-BR1	Brake For All Reels With Hose

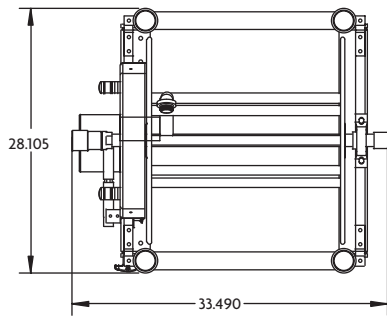


REELS

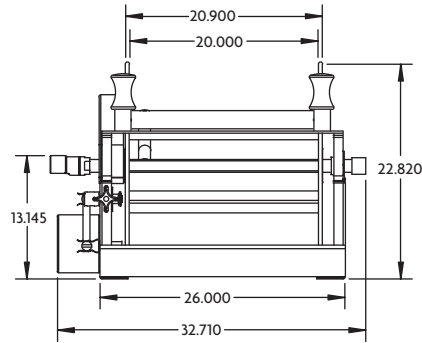


## TECHNICAL INFORMATION FOR BOOSTER REEL

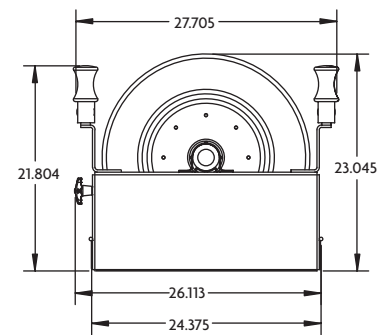
Top View



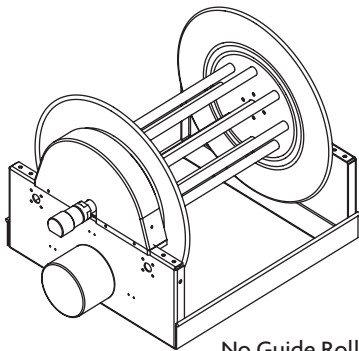
Front View



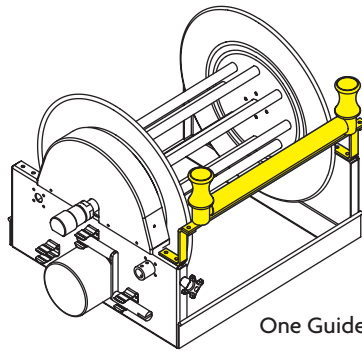
Side View



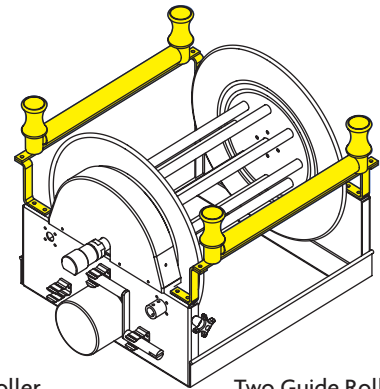
## OPTIONS



No Guide Roller

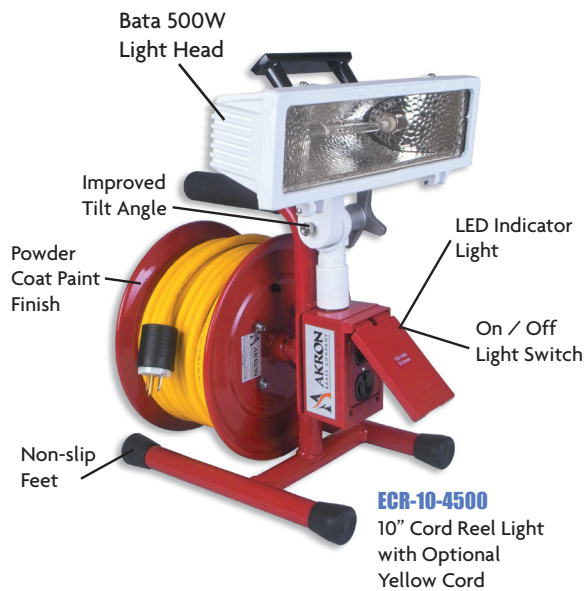


One Guide Roller



Two Guide Roller

## Also Available, Our Complete Line Of Portable Cord Reels





**AKRON**<sup>®</sup>  
BRASS COMPANY

In U.S./International  
Akron Brass Company  
P.O. Box 86 | Wooster, OH 44691  
PH: 330.264.5678 | Fax: 330.264.2944  
Toll Free: 800.228.1161  
Toll Free Fax: 800.531.7335  
E-Mail: [custserv@akronbrass.com](mailto:custserv@akronbrass.com)  
[www.akronbrass.com](http://www.akronbrass.com)

**Tested...  
Proven...  
Trusted.**

