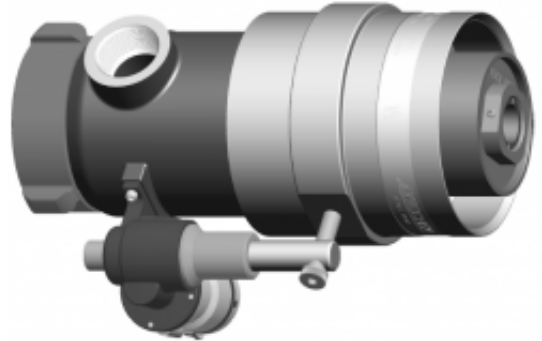


Akrochem 2000 GPM Master Stream Nozzle Electric Pattern Actuation



STYLE 4042

Akrochem nozzles provide both dry chemical application and foam/water application. This flexible nozzle combines the effective reach of an automatic nozzle and the dry chemical/foam solution delivery capabilities to achieve the performance you expect from Akron Brass.

Features

The Akrofoam nozzles have excellent dry chemical delivery rate of up to 20 lbs/sec. Akrochem nozzles are designed for flowing from 750-2000 gpm at an operating pressure of 100 psi.

- Material: Pyrolite
- Pattern Control: Electric
- Flow 750-2000 GPM
- Inlet: 3-1/2" NH

Specifications

Style	4042
Certification(s)	
Warranty	
Material	Pyrolite
Brand	Akrochem
Swivel Inlet	3-1/2" NH
Length	8-1/4" (210 mm)
Width	7" (178 mm)
Height	11-1/2" (292 mm)
Diameter	5-1/2" (140 mm)
Flow (GPM)	750-2000 GPM
Volts	12 or 24



Akrochem 2000 GPM Master Stream Nozzle Electric Pattern Actuation

STYLE 4042



Akrochem Master Stream Nozzle								
Style	Nozzle Pressure		Actual Flow		Straight Stream Reach*			
	PSI	BAR	GPM	LPM	Effective		Overall	
					FEET	METERS	FEET	METERS
4039 4040	100	7	250	950	125	38	135	41
			500	1900	175	53	185	56
			750	2900	225	69	235	73
			1000	3800	255	78	265	265
			1250	4800	280	85	290	88
4041 4042	100	7	750	2900	160	48	170	52
			1000	3800	190	58	200	61
			1500	5700	240	73	250	76
			2000	7600	280	85	290	88